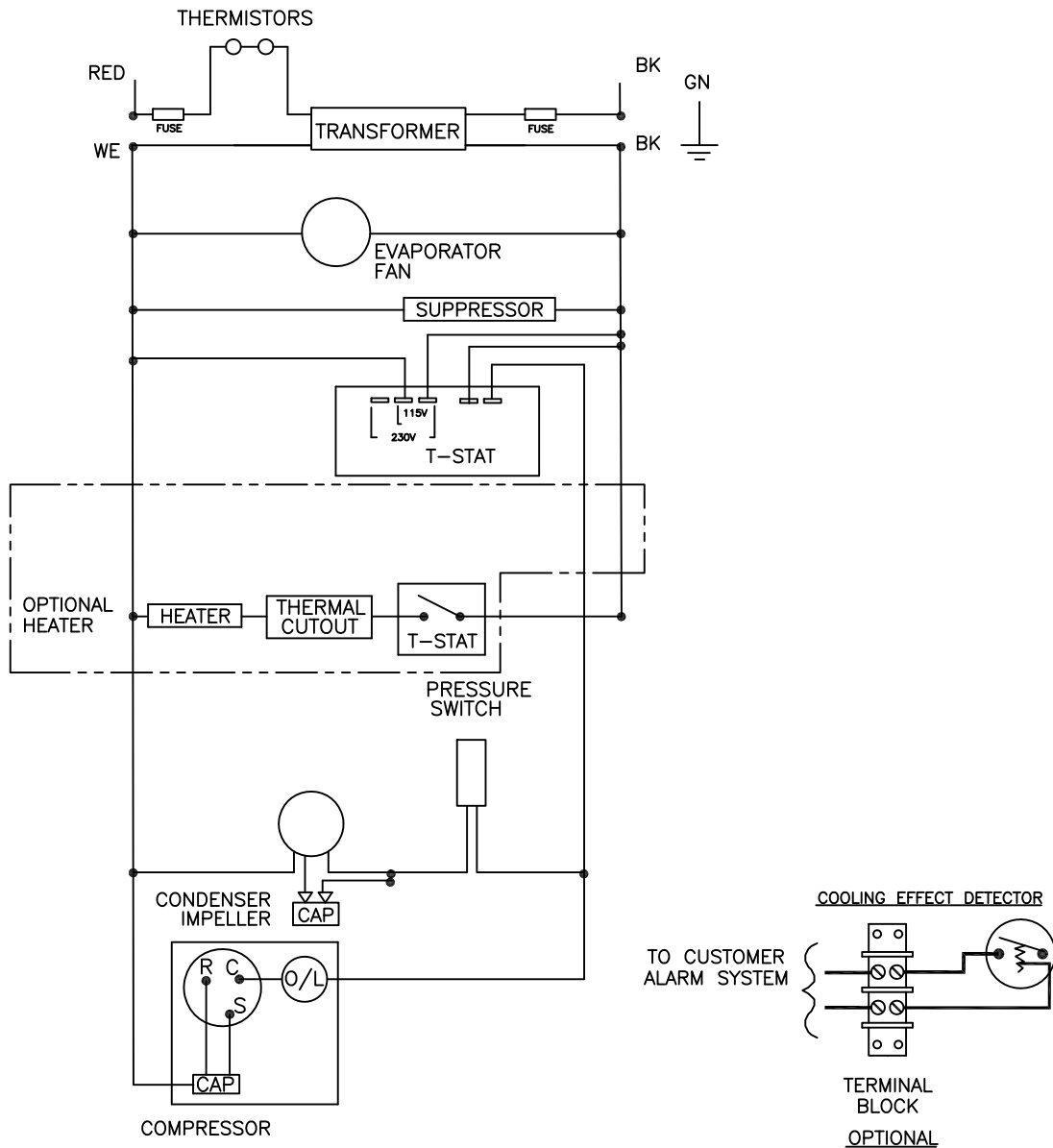


THIS DOCUMENT IS THE PROPERTY OF KOOLTRONIC, INC. AND CONTAINS PROPRIETARY AND CONFIDENTIAL INFORMATION WHICH MUST NOT BE DUPLICATED, USED OR DISCLOSED TO OTHERS, EXCEPT AS EXPRESSLY AUTHORIZED IN WRITING BY KOOLTRONIC, INC.

REVISIONS

SYM	NOTICE	DESCRIPTION	DATE	APPROVED
-	ER 12/020	NEW DRAWING RELEASE.	5/14/12	DW-
A	EC 12/314	ADDED THERMISTORS.	11/21/12	DW-



ALL DIMENSIONS ARE IN INCHES,
DIMENSIONS DESIGNATED MM ARE IN MILLIMETERS.

UNLESS OTHERWISE SPECIFIED
TOLERANCES NON-ACCUMULATIVE

TOL. ON	INCHES	MM
.XX	± .02	±
.XXX	± .010	±
ANGULAR	± 1/2°	

DRAWN	DATE
B.MUZIKANT	5/14/12
CHECKED	
Mike Mc Crohan	6/4/12
ENG.	
Boris Muzikant	6/15/12
MFG. ENG.	



WIRING DIAGRAM

MATERIAL		CODE IDENT. NO.	SIZE	DWG. NO.	REV
UNITS	K3NA4C3DP24L	APPROVED	Joe M/Bruce K	6/20/12	06223 A WD-1414 A
		SCALE	N/A	CAD. REF.	SHEET 1 OF 1