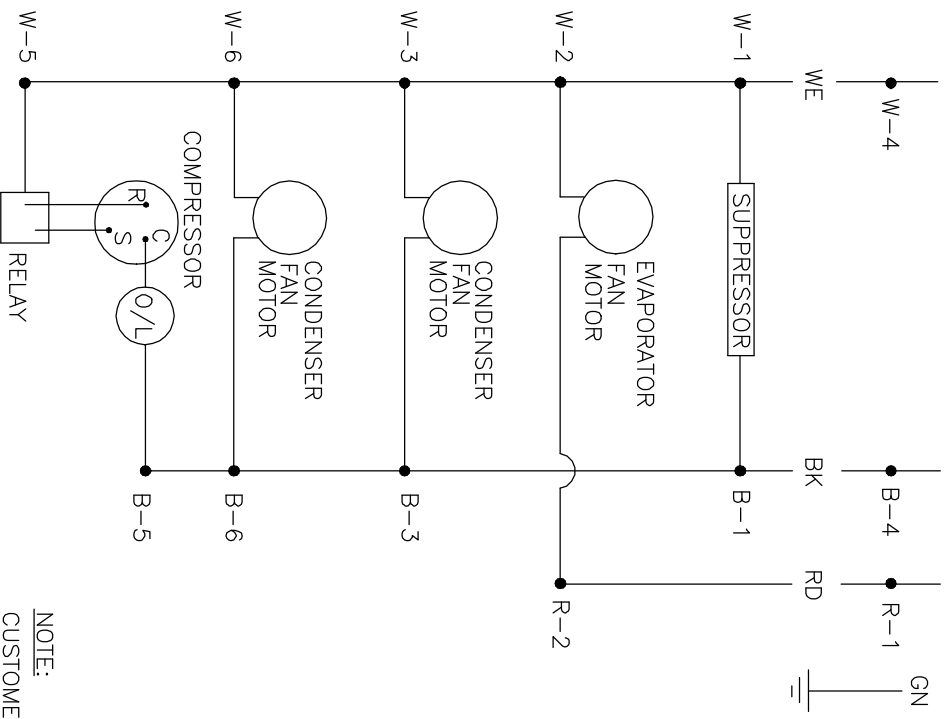
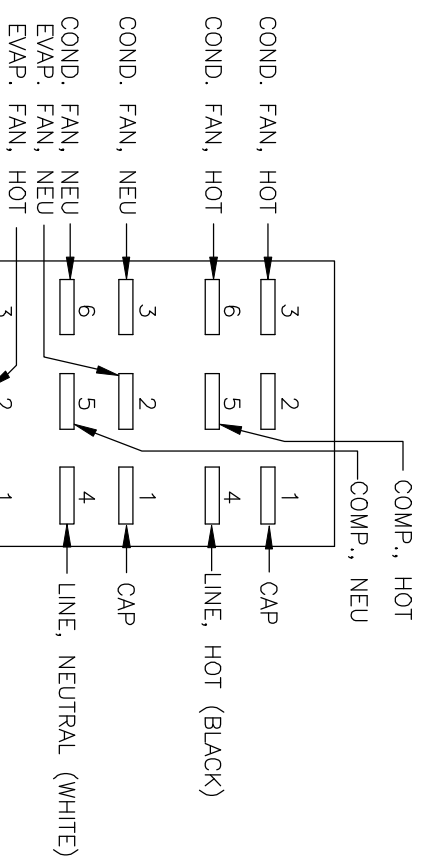


THIS DOCUMENT IS THE PROPERTY OF KOOLTRONIC, INC. AND CONTAINS PROPRIETARY AND CONFIDENTIAL INFORMATION WHICH MUST NOT BE DUPLICATED, USED OR DISCLOSED OTHER THAN AS EXPRESSLY AUTHORIZED BY KOOLTRONIC, INC.



NOTE:
CUSTOMER SUPPLIED THERMOSTAT TO BE WIRED IN SERIES WITH BLACK WIRE. RED WIRE IS TO BE POWERED AT ALL TIMES.



REVISIONS		DATE	APPROVED
SWI	NOTICE	02/02/93	MH
-	EC 93/76	NEW DRAWING RELEASE	

DIMENSIONS DESIGNATED MM ARE IN MILLIMETERS. UNLESS OTHERWISE SPECIFIED DRAWN BY: MM CHECKED: MM DATE: 02/02/93 TOLERANCES NON-ACCUMULATIVE		HOOPER BLDG. NY VENTURA, CA USA KOOLTRONIC, INC.	
TOL. ON	INCHES	MM	DATE
.XX	± .02	±	ENG.
.XXX	± .010	±	DRG. ENG.
ANGULAR		± 1/2°	
MATERIAL			
DWG. NO. WD-147		SCALE 1=1	SHEET 1 OF 1
REV			