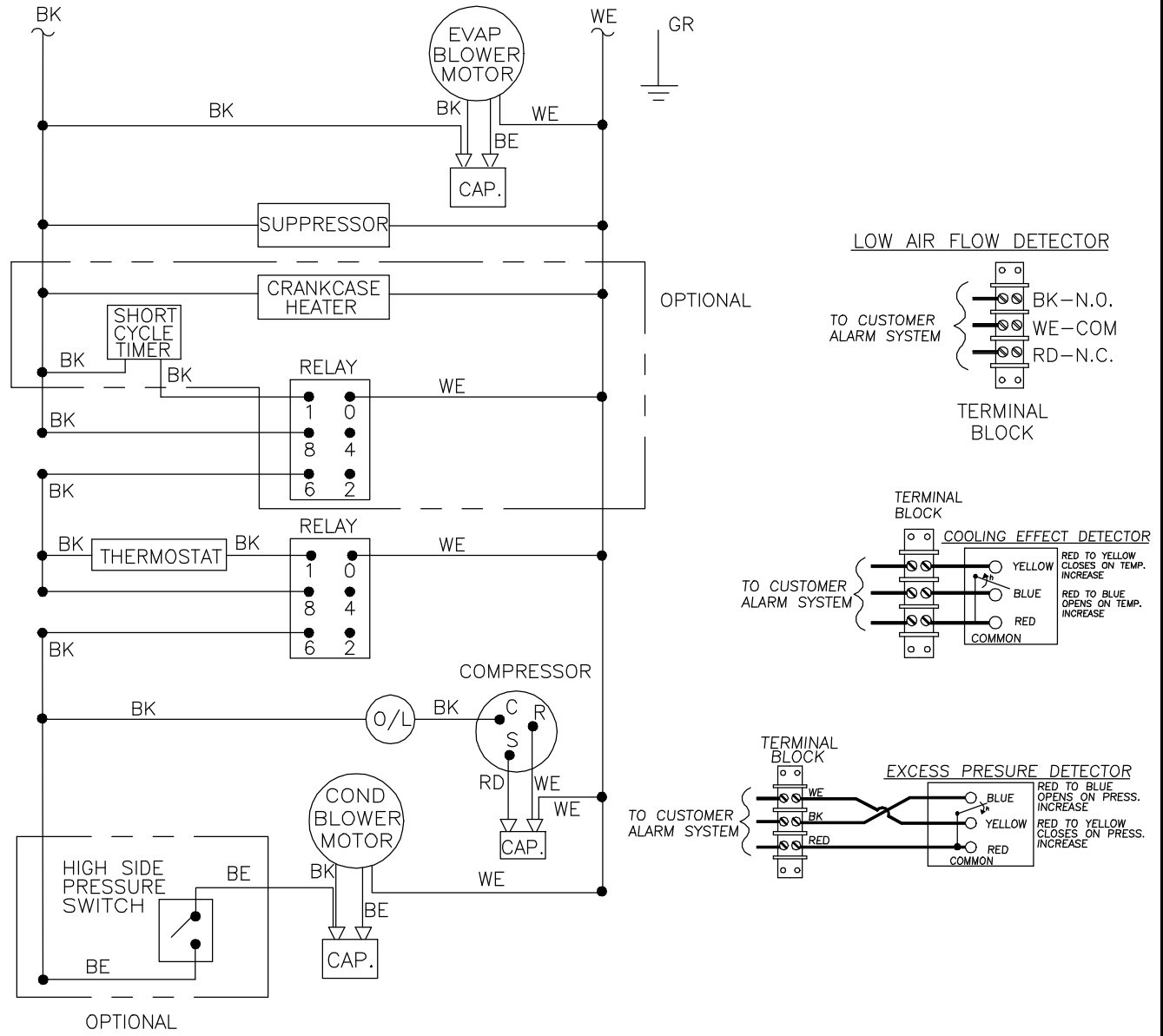



REVISIONS				
SYM	NOTICE	DESCRIPTION	DATE	APPROVED
-	EC 93/48	NEW DRAWING RELEASE	02/17/93	MJH
A	EC 95/133	REVISED OPTIONS & DIAGRAM LAYOUT. ADDED RELAY.	6/9/95	D W

THIS DOCUMENT IS THE PROPERTY OF KOOLTRONIC, INC. AND CONTAINS PROPRIETARY AND CONFIDENTIAL INFORMATION WHICH MUST NOT BE DUPLICATED, USED OR DISCLOSED OTHER THAN AS EXPRESSLY AUTHORIZED BY KOOLTRONIC, INC.



UNLESS OTHERWISE SPECIFIED TOLERANCES NON-ACCUMULATIVE			DRAWN <i>MARTIN HIRCSSHORN</i>	DATE 02/17/93
TOL. ON	INCHES	MM	CHECKED	
.XX	± .02	±	ENG.	RAY L. 3/4/93
.XXX	± .010	±	MFG. ENG.	
ANGULAR		± 1/2°		
MATERIAL			APPROVED	G.A.R. 3/4/93
UNITS KAC7 THRU 12NP47-X118				



**KOOLTRONIC, INC.**  
HOPEWELL, NJ VENTURA, CA USA

## WIRING DIAGRAM

CODE IDENT. NO. 06223	SIZE A	DWG. NO. WD-149	REV A
SCALE 1=1	CAD. REF. WD000037	SHEET 1 OF 1	