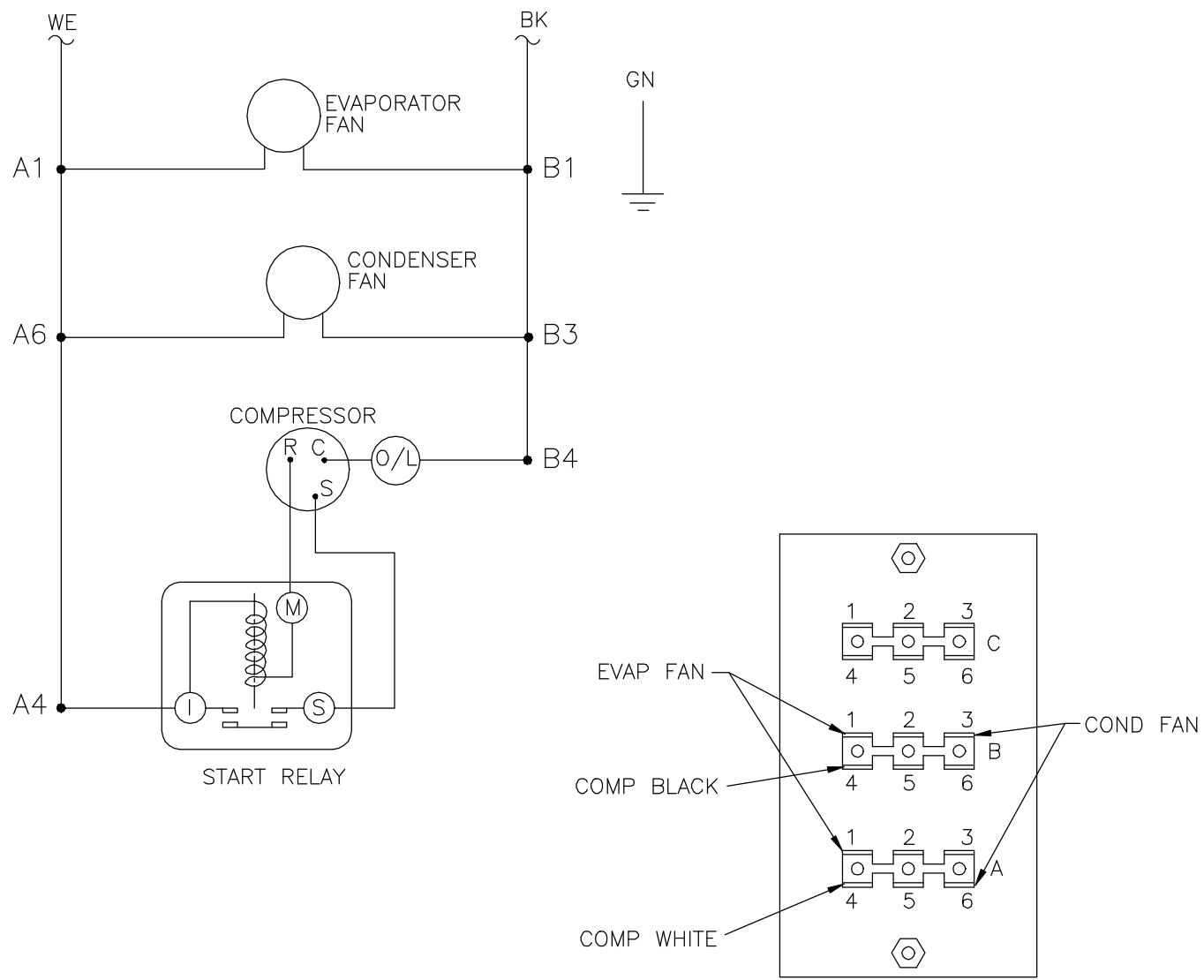



REVISIONS				
SYM	NOTICE	DESCRIPTION	DATE	APPROVED
-	EC 93/79	NEW DRAWING RELEASE	3/25/93	MJH

THIS DOCUMENT IS THE PROPERTY OF KOOLTRONIC, INC. AND CONTAINS PROPRIETARY AND CONFIDENTIAL INFORMATION WHICH MUST NOT BE DUPLICATED, USED OR DISCLOSED OTHER THAN AS EXPRESSLY AUTHORIZED BY KOOLTRONIC, INC.



NOTE:
1) TERMINAL BLOCK WIRING TO BE AS SHOWN ABOVE.

ALL DIMENSIONS ARE IN INCHES, DIMENSIONS DESIGNATED MM ARE IN MILLIMETERS.		
UNLESS OTHERWISE SPECIFIED TOLERANCES NON-ACCUMULATIVE		DRAWN <i>MARTIN HIRCSSHORN</i>
		DATE 3/25/93
TOL. ON	INCHES	MM
.XX	± .02	±
.XXX	± .010	±
ANGULAR		± 1/2°
MATERIAL		
UNITS K2AC1.0MM/50-2		APPROVED



HOPEWELL, NJ VENTURA, CA USA

WIRING DIAGRAM

CODE IDENT. NO. 06223	SIZE A	DWG. NO. WD-151	REV -
SCALE 7/8=1	CAD. REF. WD000039	SHEET 1 OF 1	