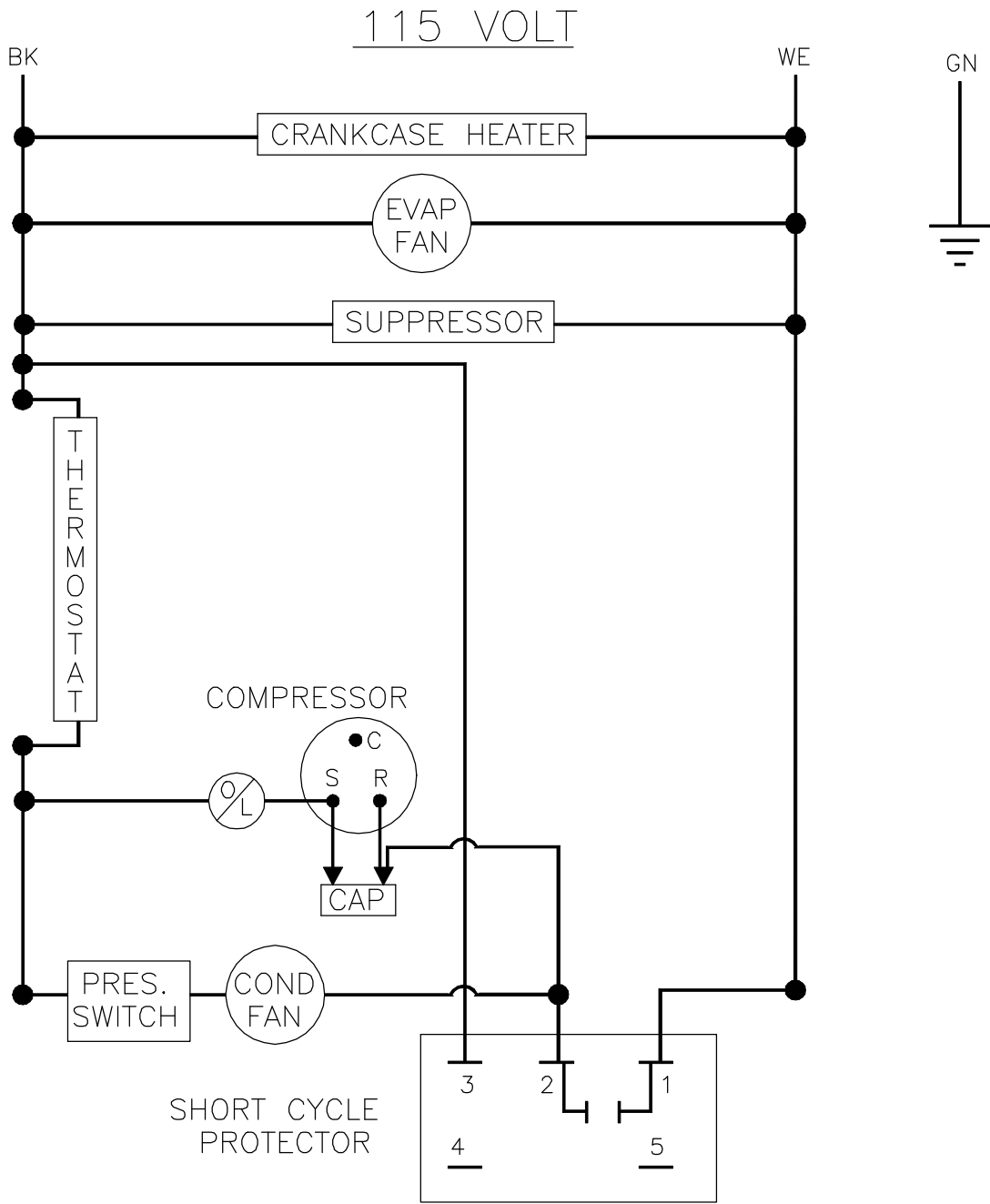



REVISIONS				
SYM	NOTICE	DESCRIPTION	DATE	APPROVED
-	EC 93/83	NEW DRAWING RELEASE	04/06/93	MJH

THIS DOCUMENT IS THE PROPERTY OF KOOLTRONIC, INC. AND CONTAINS PROPRIETARY AND CONFIDENTIAL INFORMATION WHICH MUST NOT BE DUPLICATED, USED OR DISCLOSED OTHER THAN AS EXPRESSLY AUTHORIZED BY KOOLTRONIC, INC.



UNLESS OTHERWISE SPECIFIED TOLERANCES NON-ACCUMULATIVE			DRAWN <i>MARTIN HIRCSSHORN</i>	DATE 04/06/93
TOL. ON	INCHES	MM	CHECKED	
.XX	± .02	±	ENG.	
.XXX	± .010	±	MFG. ENG.	
ANGULAR		± 1/2°		
MATERIAL			APPROVED	
UNITS KAC2.5NM-X118				



HOPEWELL, NJ VENTURA, CA USA

WIRING DIAGRAM

CODE IDENT. NO. 06223	SIZE A	DWG. NO. WD-152	REV -
SCALE 1.000=1	CAD. REF. WD000040	SHEET 1 OF 1	