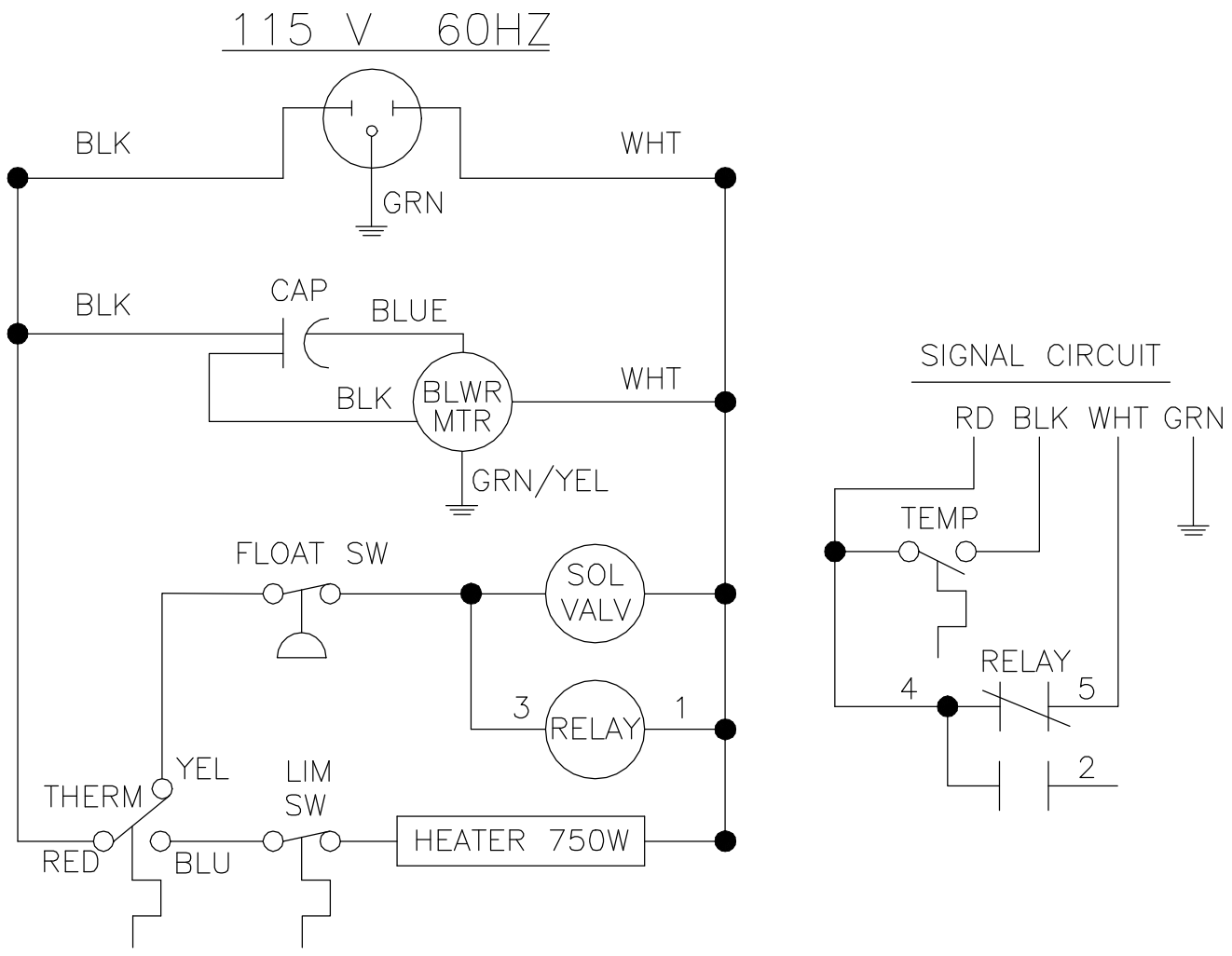


REVISIONS				
SYM	NOTICE	DESCRIPTION	DATE	APPROVED
-	ER 93/61	NEW DRAWING RELEASE	4/12/93	D W


THIS DOCUMENT IS THE PROPERTY OF KOOLTRONIC, INC. AND CONTAINS PROPRIETARY AND CONFIDENTIAL INFORMATION WHICH MUST NOT BE DUPLICATED, USED OR DISCLOSED OTHER THAN AS EXPRESSLY AUTHORIZED BY KOOLTRONIC, INC.



ELECTRICAL RATINGS:

115 VOLTS 50/60 HZ  
MOTOR 1.6 AMPS  
HEATER 750 WATTS, 6.5 AMPS  
VALVE 9 WATTS

ALL DIMENSIONS ARE IN INCHES, DIMENSIONS DESIGNATED MM ARE IN MILLIMETERS.			
UNLESS OTHERWISE SPECIFIED TOLERANCES NON-ACCUMULATIVE		DRAWN D. WALDRON	DATE 4/12/93
TOL. ON	INCHES	MM	CHECKED
.XX	± .02	±	ENG.
.XXX	± .010	±	MFG. ENG.
ANGULAR		± 1/2°	
MATERIAL			APPROVED
UNITS KPHE36-8			



HOPEWELL, NJ VENTURA, CA USA

## WIRING DIAGRAM

CODE IDENT. NO. 06223	SIZE A	DWG. NO. WD-153	REV -
SCALE 1=1	CAD. REF. WD000041	SHEET 1 OF 1	