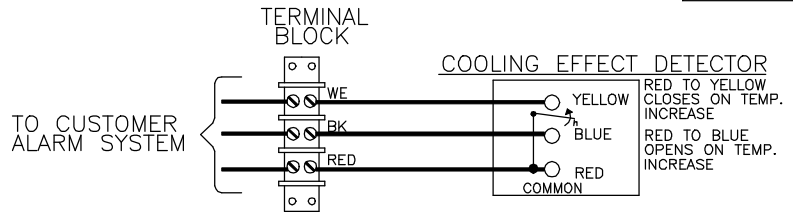
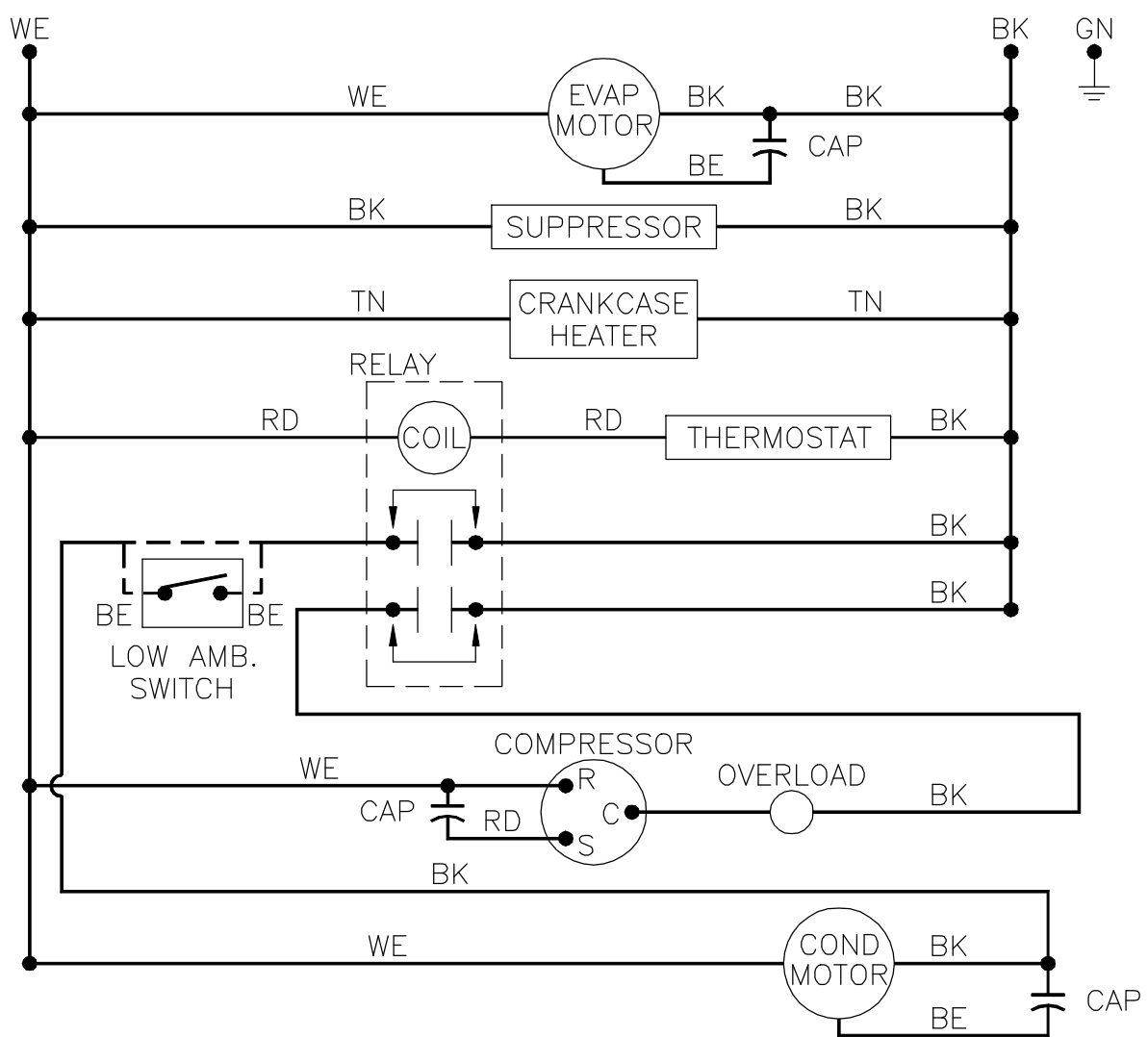



REVISIONS				
SYM	NOTICE	DESCRIPTION	DATE	APPROVED
-	EC 93/149	NEW DRAWING RELEASE	07/12/93	RDG

THIS DOCUMENT IS THE PROPERTY OF KOOLTRONIC, INC. AND CONTAINS PROPRIETARY AND CONFIDENTIAL INFORMATION WHICH MUST NOT BE DUPLICATED, USED OR DISCLOSED OTHER THAN AS EXPRESSLY AUTHORIZED BY KOOLTRONIC, INC.



UNLESS OTHERWISE SPECIFIED TOLERANCES NON-ACCUMULATIVE			DRAWN Rob George		DATE 07/12/93
TOL. ON	INCHES	MM	CHECKED BRF	07/15/93	
.XX	± .02	±	ENG. JC	07/15/93	
.XXX	± .010	±	MFG. ENG.		
ANGULAR		± 1/2°			
MATERIAL			APPROVED		
UNITS KNAC8P52-1					



HOPEWELL, NJ VENTURA, CA USA

WIRING DIAGRAM

CODE IDENT. NO. 06223	SIZE A	DWG. NO. WD-157	REV -
SCALE 1=1	CAD. REF. WD000047	SHEET 1 OF 1	