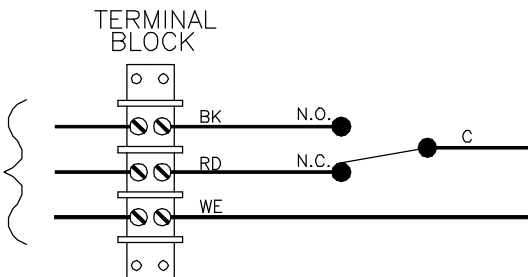
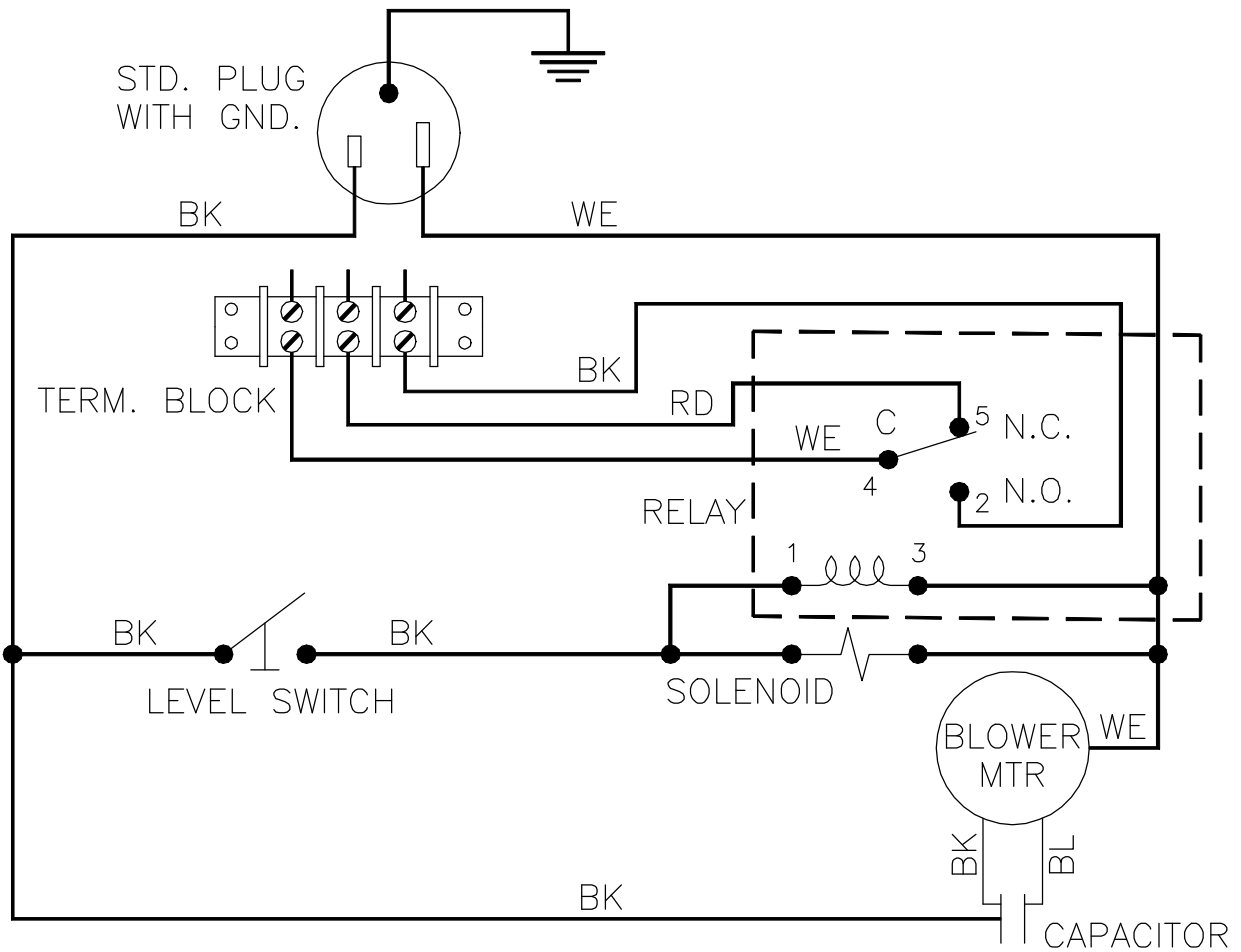


REVISIONS				
SYM	NOTICE	DESCRIPTION	DATE	APPROVED
-	EC 93/238	NEW DRAWING RELEASE	10/18/93	RDG

THIS DOCUMENT IS THE PROPERTY OF KOOLTRONIC, INC. AND CONTAINS PROPRIETARY AND CONFIDENTIAL INFORMATION WHICH MUST NOT BE DUPLICATED, USED OR DISCLOSED OTHER THAN AS EXPRESSLY AUTHORIZED BY KOOLTRONIC, INC.



ALL DIMENSIONS ARE IN INCHES,
DIMENSIONS DESIGNATED MM ARE IN MILLIMETERS.

UNLESS OTHERWISE SPECIFIED TOLERANCES NON-ACCUMULATIVE		
TOL. ON	INCHES	MM
.XX	± .02	±
.XXX	± .010	±
ANGULAR		± 1/2°
MATERIAL		
UNITS		
KPHE39-29,-30,-X130		

DRAWN	DATE
Rob George	10/18/93
CHECKED	
ENG.	
MFG. ENG.	
APPROVED	



WIRING DIAGRAM FOR RELAY CONTACTS

CODE IDENT. NO.	SIZE	DWG. NO.	REV
06223	A	WD-166	-
SCALE 1=1	CAD. REF. WD000056	SHEET 1 OF 1	