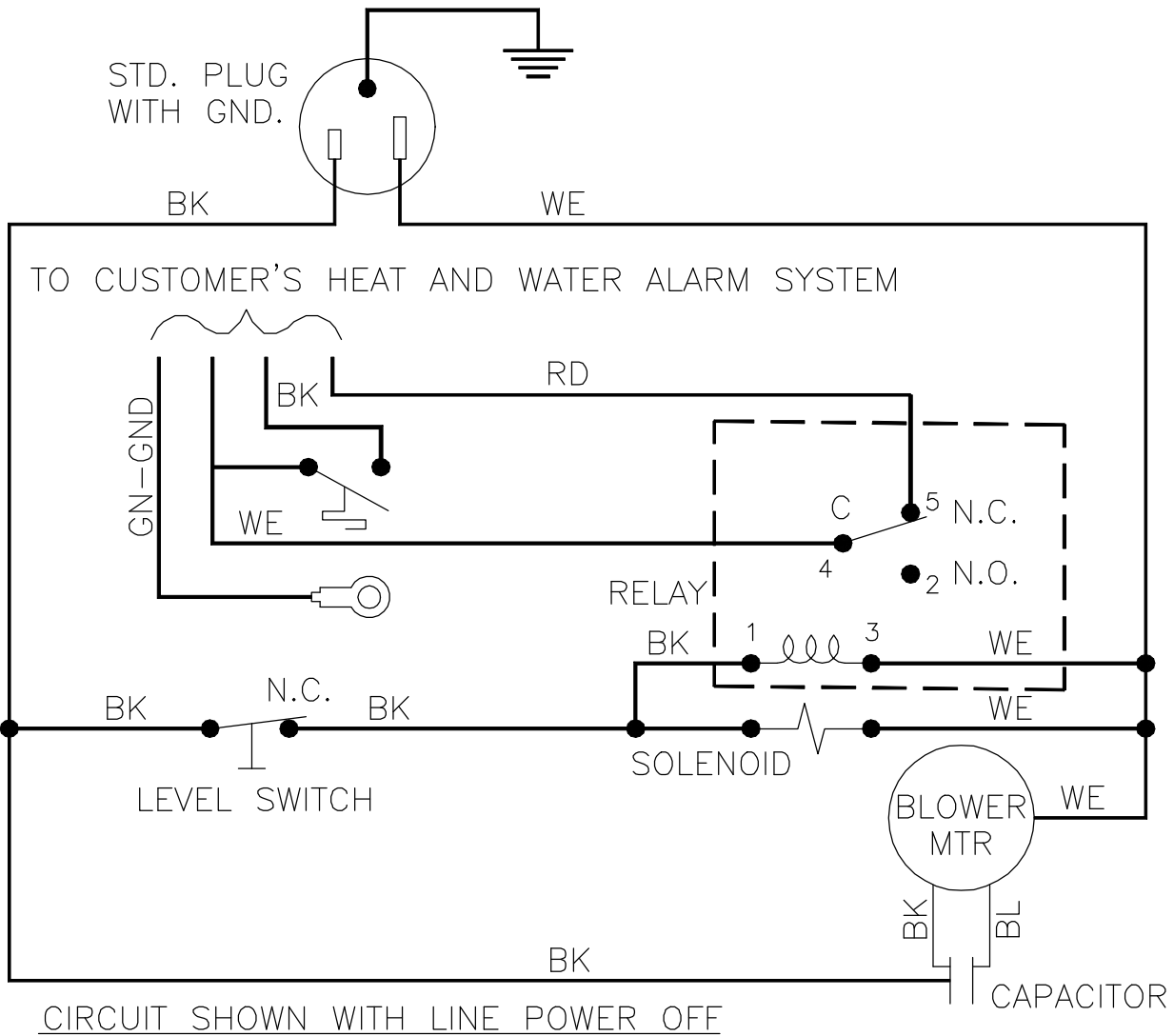
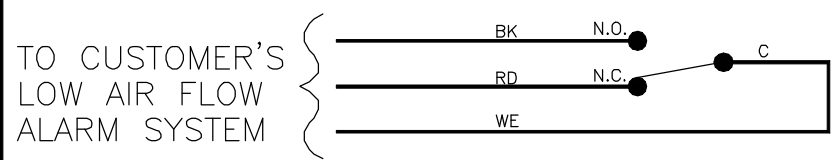


REVISIONS				
SYM	NOTICE	DESCRIPTION	DATE	APPROVED
-	ER 93/242	NEW DRAWING RELEASE	10/21/93	RDG

THIS DOCUMENT IS THE PROPERTY OF KOOLTRONIC, INC. AND CONTAINS PROPRIETARY AND CONFIDENTIAL INFORMATION WHICH MUST NOT BE DUPLICATED, USED OR DISCLOSED OTHER THAN AS EXPRESSLY AUTHORIZED BY KOOLTRONIC, INC.



CIRCUIT SHOWN WITH LINE POWER OFF



HEAT AND WATER ALARM	
WE TO BK	EXCESS HEAT ALARM
WE TO RD	WATER LEVEL ALARM

UNLESS OTHERWISE SPECIFIED TOLERANCES NON-ACCUMULATIVE			DRAWN Rob George	DATE 10/21/93
TOL. ON	INCHES	MM	CHECKED	
.XX	± .02	±	ENG.	
.XXX	± .010	±	MFG. ENG.	
ANGULAR		± 1/2°		
MATERIAL				
UNITS KPHE39-35			APPROVED	

HOPEWELL, NJ VENTURA, CA USA

WIRING DIAGRAM FOR RELAY CONTACTS

CODE IDENT. NO. 06223	SIZE A	DWG. NO. WD-167	REV -
SCALE 1=1	CAD. REF. WD000057	SHEET 1 OF 1	