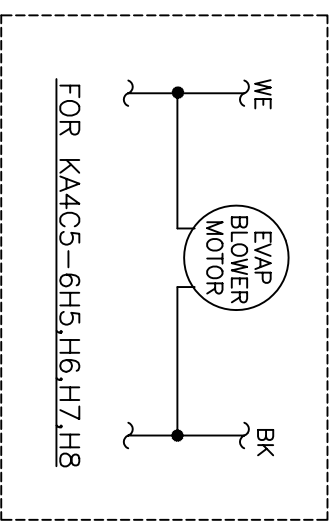
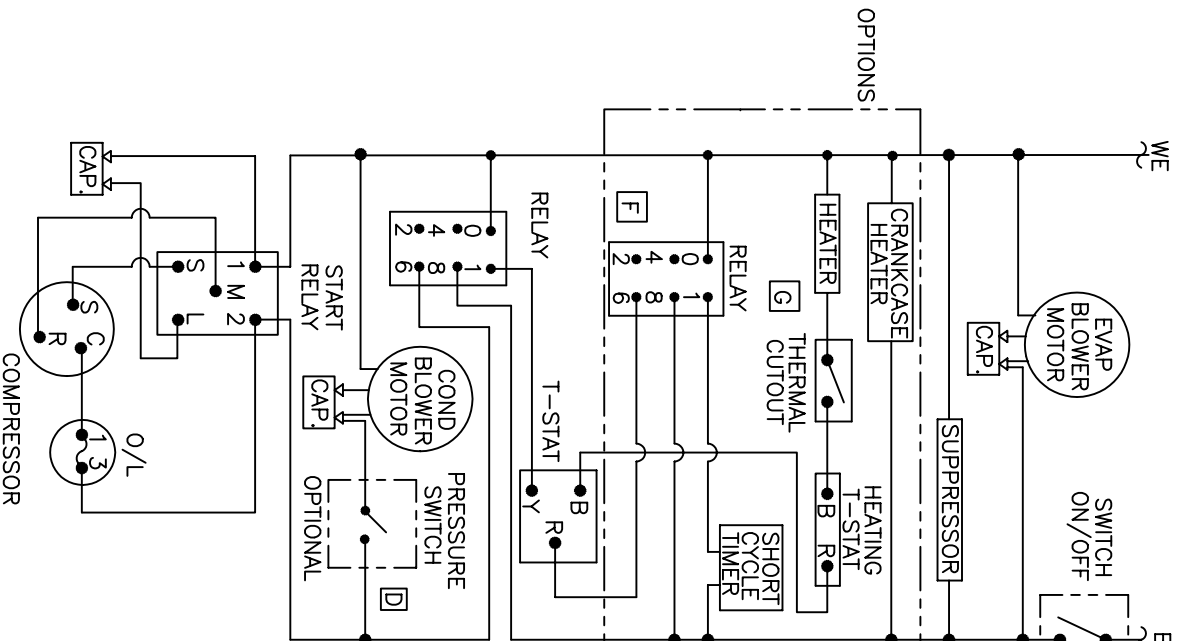


REVISIONS		DESCRIPTION	DATE	APPROVED
SYM	NOTICE			
-	ER 93/133	NEW DRAWING RELEASE	11/16/93	D W
A	95/11	ADDED KA4C5-6H5 AND ADDITIONAL WIRING	01/12/95	RDG
B	ER 95/159	REVISED RELAY & OPTION WIRING.	7/10/95	D W
C	ER 96/49	ADDED U.L. SWITCH OPTION.	3/7/96	D W
D	ER 98/79	"D" ADDED OPTIONAL PRESSURE SWITCH	4/27/98	RDM
F	EC 98/172	"F" REVERSED IDENTIFICATION NUMBERS ON (2) RELAYS	9/3/98	RDM
G	ER 00/33	ADDED HEATER OPTION	3/15/00	RL

THIS DOCUMENT IS THE PROPERTY OF KOOLTRONIC, INC. AND CONTAINS PROPRIETARY AND CONFIDENTIAL INFORMATION WHICH MUST NOT BE DUPLICATED, USED OR DISCLOSED OTHER THAN AS EXPRESSLY AUTHORIZED BY KOOLTRONIC, INC.



- ADDITIONAL OPTIONS
- 1) AIRFLOW SWITCH
  - 2) COOLING EFFECT DETECTOR
  - 3) EXCESS PRESSURE DETECTOR
  - 4) 50HZ: CONTACT KOOLTRONIC

ALL DIMENSIONS ARE IN INCHES,  
DIMENSIONS DESIGNATED MM ARE IN MILLIMETERS.

DRAWN  
D. WALDRON

DATE  
11/16/93

CHECKED  
MEM

DATE  
12/21/93

ENG.  
JIM C.

DATE  
12/21/93

MFG. ENG.



HOPEWELL, NJ VENTURA, CA USA

## WIRING DIAGRAM

CODE IDENT. NO.	SIZE	DWG. NO.	REV
06223	A	WD-168	G

SCALE	CAD. REF.	WDD000058	SHEET	1 OF 1
7/8=1				

UNLESS OTHERWISE SPECIFIED TOLERANCES NON-ACCUMULATIVE		
TOL. ON	INCHES	MM
.XX	± .02	±
.XXX	± .010	±
ANGULAR		± 1/2°

MATERIAL	
UNITS	KA4C5-6NP36 KA4C5-6H5T

APPROVED	
----------	--