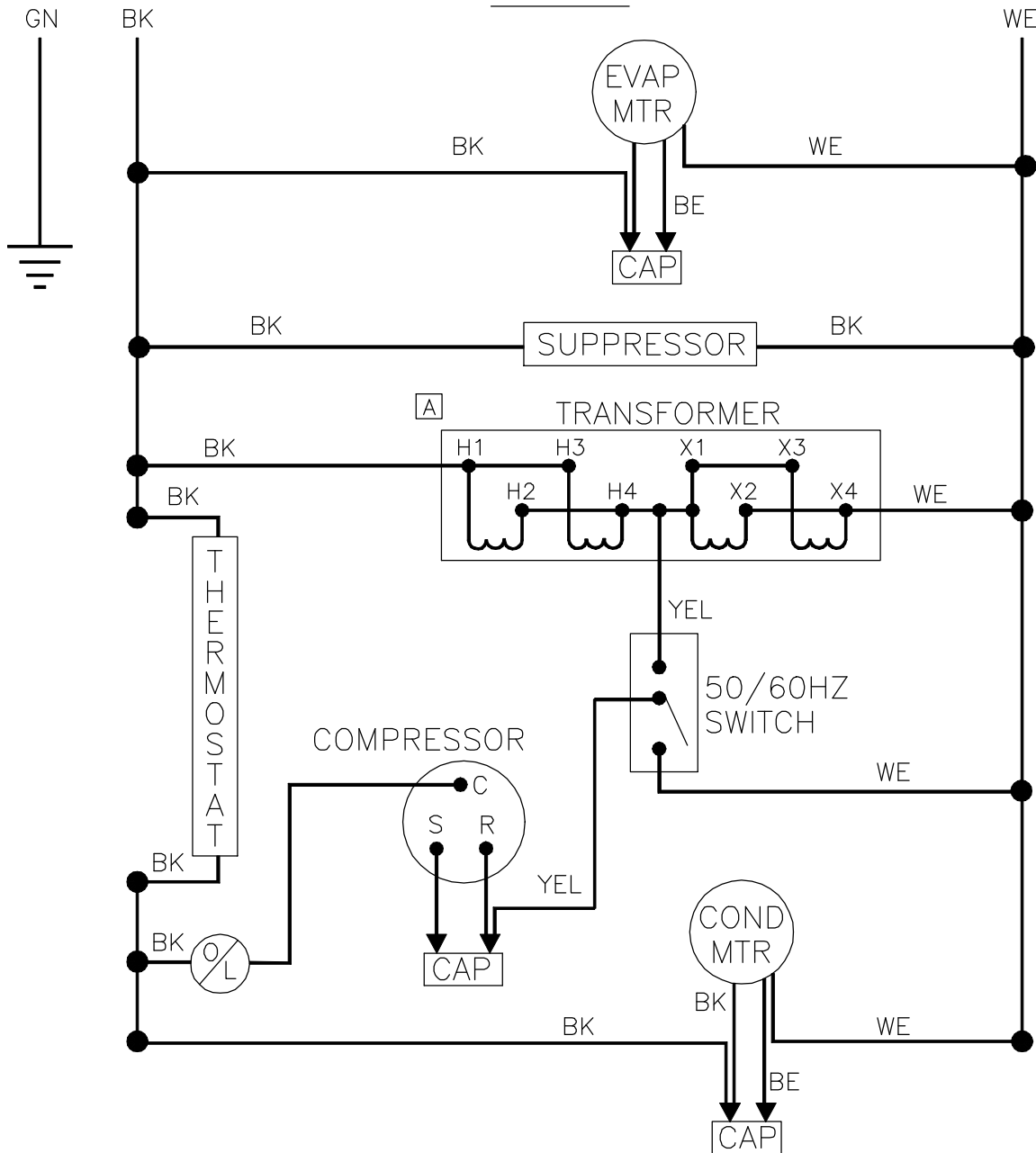


REVISIONS				
SYM	NOTICE	DESCRIPTION	DATE	APPROVED
-	ER 93/249	NEW DRAWING RELEASE	11/15/93	D W
A	EC 96/230	REV. SEQ. NUMBERS AT TRANSFORMER	10/2/96	SDS/BF/SR/BKK

115V



THIS DOCUMENT IS THE PROPERTY OF KOOLTRONIC, INC. AND CONTAINS PROPRIETARY AND CONFIDENTIAL INFORMATION WHICH MUST NOT BE DUPLICATED, USED OR DISCLOSED OTHER THAN AS EXPRESSLY AUTHORIZED BY KOOLTRONIC, INC.

ALL DIMENSIONS ARE IN INCHES,
DIMENSIONS DESIGNATED MM ARE IN MILLIMETERS.

UNLESS OTHERWISE SPECIFIED TOLERANCES NON-ACCUMULATIVE		
TOL. ON	INCHES	MM
.XX	± .02	±
.XXX	± .010	±
ANGULAR		± 1/2°
MATERIAL		
UNITS	KAC4P47T-3	

DRAWN	D. WALDRON	DATE	11/15/93
CHECKED			
ENG.	SR		10/2/96
MFG. ENG.			
APPROVED	BKK		10/2/96



WIRING DIAGRAM

CODE IDENT. NO.	SIZE	DWG. NO.	REV
06223	A	WD-169	A
SCALE 1=1	CAD. REF. WD000059	SHEET	1 OF 1