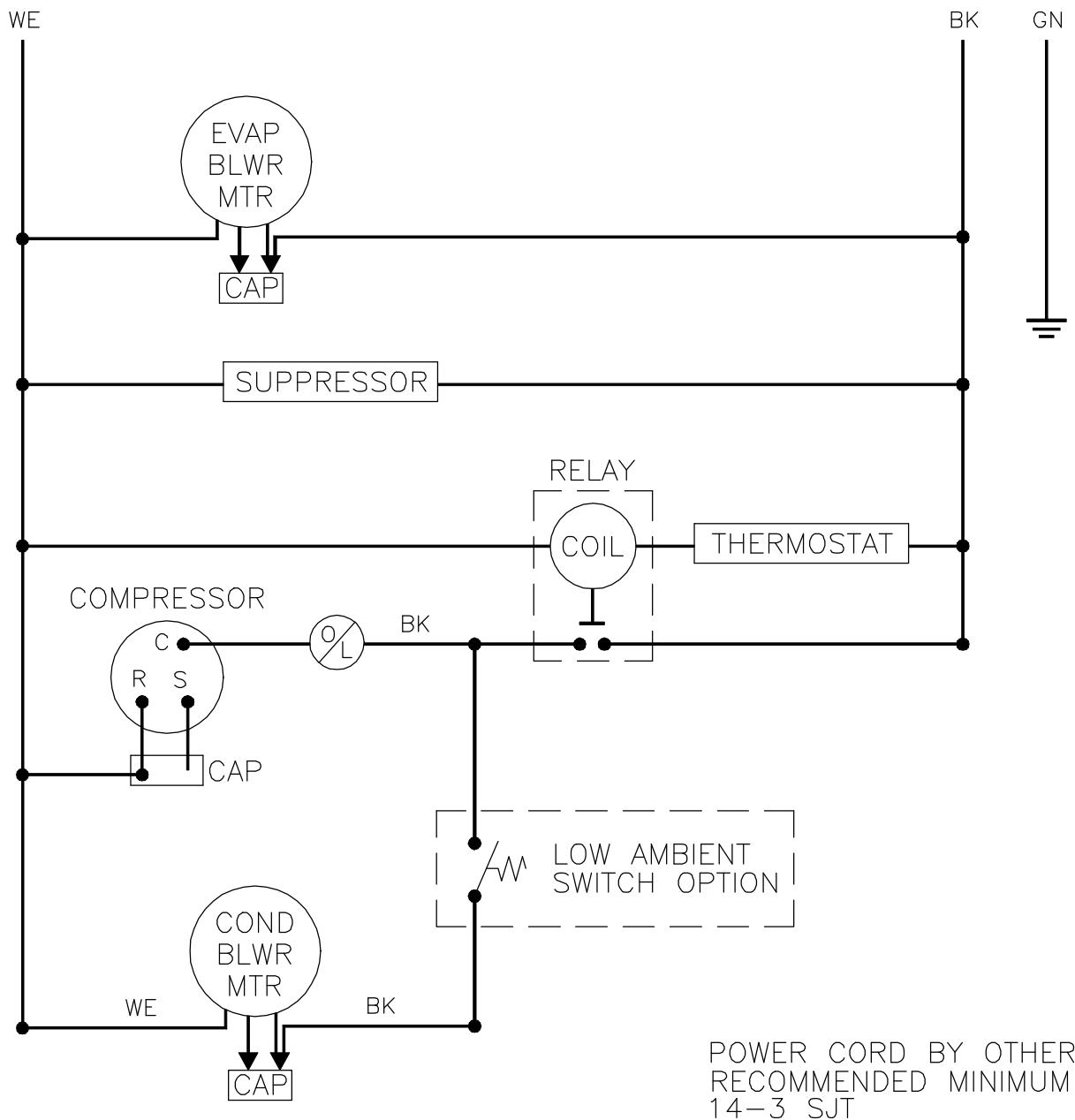



REVISIONS				
SYM	NOTICE	DESCRIPTION	DATE	APPROVED
-	ER 94/6	NEW DRAWING RELEASE	01/11/94	RDG

THIS DOCUMENT IS THE PROPERTY OF KOOLTRONIC, INC. AND CONTAINS PROPRIETARY AND CONFIDENTIAL INFORMATION WHICH MUST NOT BE DUPLICATED, USED OR DISCLOSED OTHER THAN AS EXPRESSLY AUTHORIZED BY KOOLTRONIC, INC.



POWER CORD BY OTHERS
RECOMMENDED MINIMUM
14-3 SJT

ALL DIMENSIONS ARE IN INCHES, DIMENSIONS DESIGNATED MM ARE IN MILLIMETERS.				
UNLESS OTHERWISE SPECIFIED TOLERANCES NON-ACCUMULATIVE			DRAWN <i>Rob George</i>	DATE 01/11/94
TOL. ON	INCHES	MM	CHECKED	
.XX	± .02	±	ENG.	
.XXX	± .010	±	MFG. ENG.	
ANGULAR		± 1/2°		
MATERIAL				
UNITS K2AC7SP59T/50-1 K2AC16P59T/50-3			APPROVED	



HOPEWELL, NJ VENTURA, CA USA

WIRING DIAGRAM

CODE IDENT. NO. 06223	SIZE A	DWG. NO. WD-174	REV -
SCALE 1.000=1	CAD. REF. WD000062	SHEET 1 OF 1	