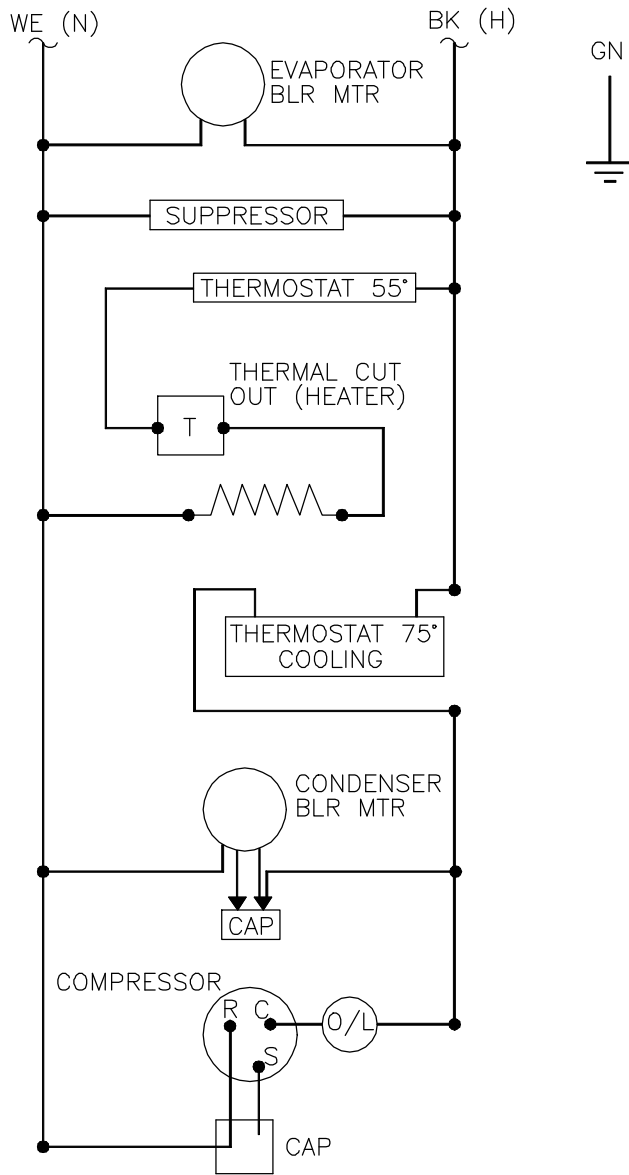


REVISIONS				
SYM	NOTICE	DESCRIPTION	DATE	APPROVED
-	EC 94/72	NEW DRAWING RELEASE	3/17/94	MJH

THIS DOCUMENT IS THE PROPERTY OF KOOLTRONIC, INC. AND CONTAINS PROPRIETARY AND CONFIDENTIAL INFORMATION WHICH MUST NOT BE DUPLICATED, USED OR DISCLOSED OTHER THAN AS EXPRESSLY AUTHORIZED BY KOOLTRONIC, INC.



ALL DIMENSIONS ARE IN INCHES,  
DIMENSIONS DESIGNATED MM ARE IN MILLIMETERS.

UNLESS OTHERWISE SPECIFIED TOLERANCES NON-ACCUMULATIVE		
TOL. ON	INCHES	MM
.XX	± .02	±
.XXX	± .010	±
ANGULAR		± 1/2°
MATERIAL		
UNITS	KAC5.0H9RVB-1	

DRAWN <i>MARTIN HIRCSSHORN</i>	DATE 3/17/94
CHECKED	
ENG.	
MFG. ENG.	
APPROVED	

HOPEWELL, NJ VENTURA, CA USA

WIRING DIAGRAM			
CODE IDENT. NO. 06223	SIZE A	DWG. NO. WD-179	REV -
SCALE 7/8=1	CAD. REF. WD000067	SHEET 1 OF 1	