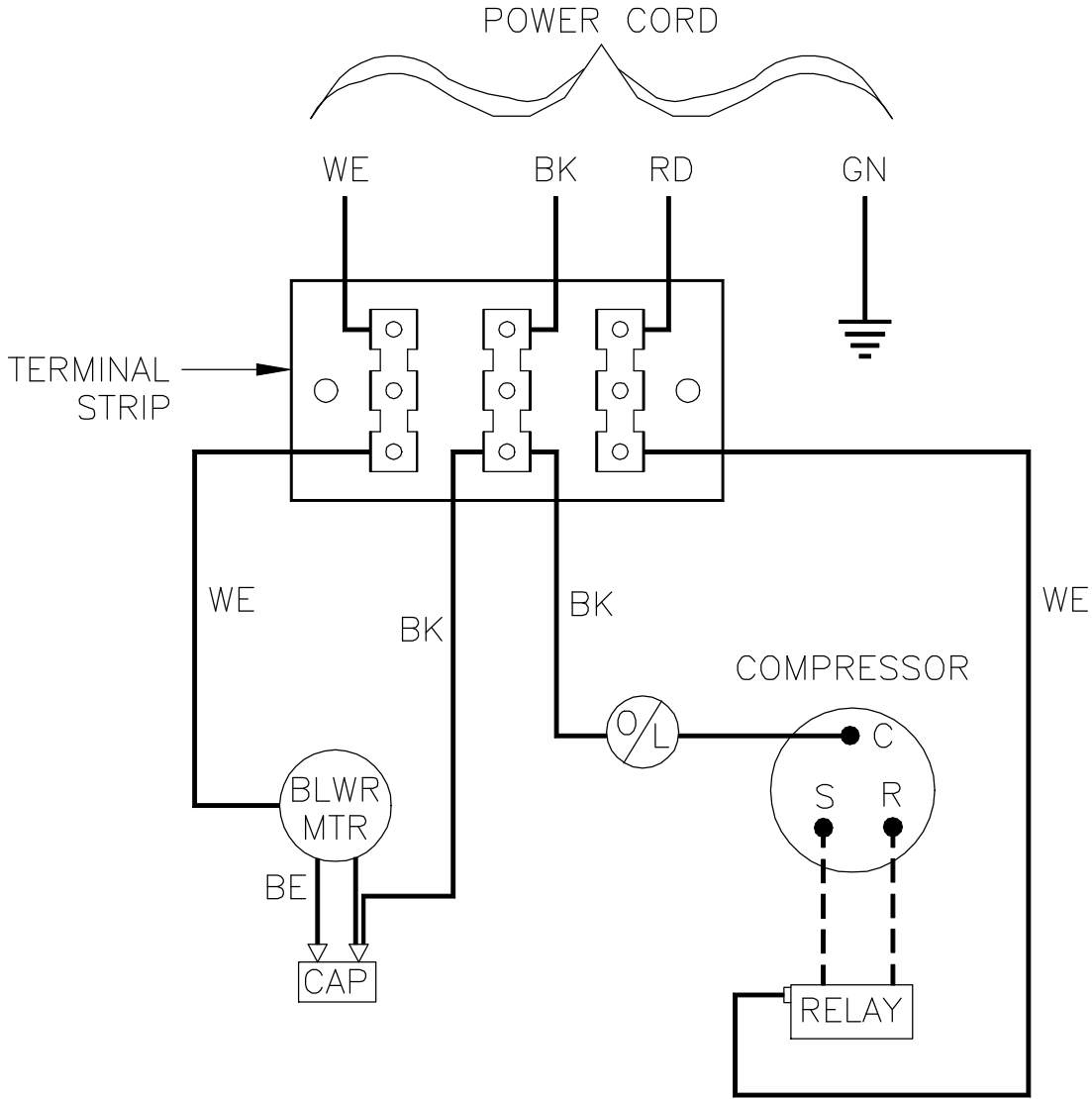



REVISIONS				
SYM	NOTICE	DESCRIPTION	DATE	APPROVED
-	EC 94/76	NEW DRAWING RELEASE	04/12/94	MJH

THIS DOCUMENT IS THE PROPERTY OF KOOLTRONIC, INC. AND CONTAINS PROPRIETARY AND CONFIDENTIAL INFORMATION WHICH MUST NOT BE DUPLICATED, USED OR DISCLOSED OTHER THAN AS EXPRESSLY AUTHORIZED BY KOOLTRONIC, INC.



ALL DIMENSIONS ARE IN INCHES, DIMENSIONS DESIGNATED MM ARE IN MILLIMETERS.			DATE 04/12/94
UNLESS OTHERWISE SPECIFIED TOLERANCES NON-ACCUMULATIVE			DRAWN <i>MARTIN HIRCSEHORN</i>
TOL. ON	INCHES	MM	CHECKED
.XX	± .02	±	ENG.
.XXX	± .010	±	MFG. ENG.
ANGULAR		± 1/2°	
MATERIAL			APPROVED
UNITS	KAC2.0SM-3		



HOPEWELL, NJ VENTURA, CA USA

## WIRING DIAGRAM

CODE IDENT. NO. 06223	SIZE A	DWG. NO. WD-180	REV -
SCALE 1=1	CAD. REF. WD000068	SHEET 1 OF 1	