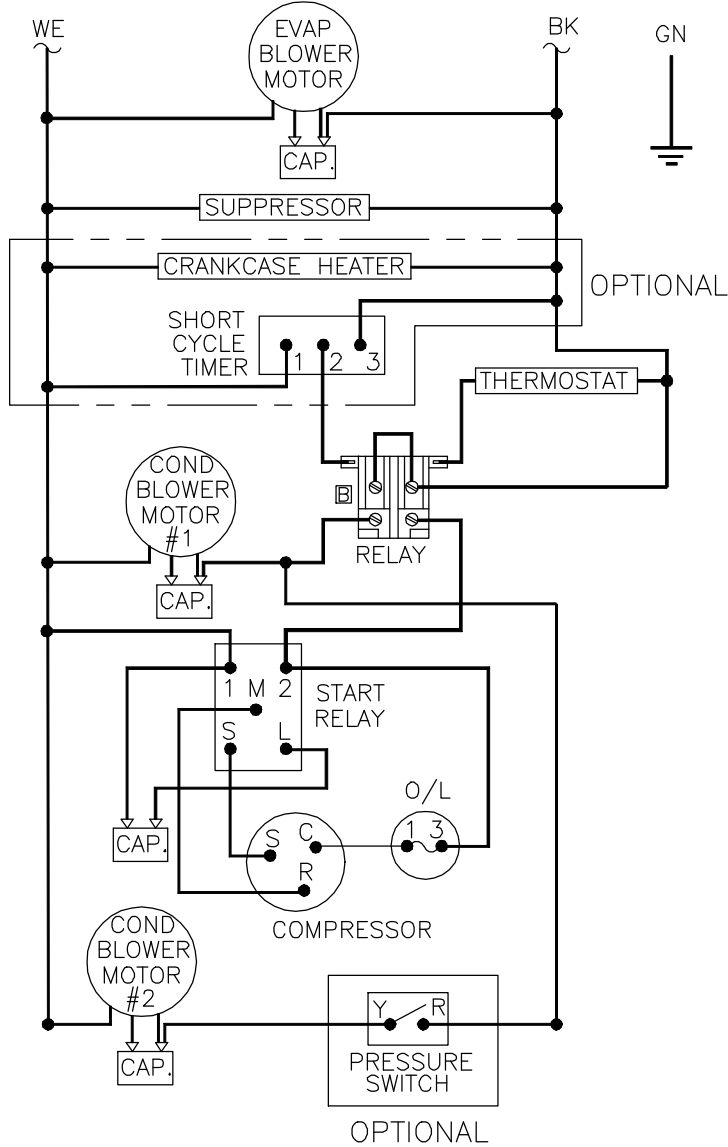


THIS DOCUMENT IS THE PROPERTY OF KOOLTRONIC, INC. AND CONTAINS PROPRIETARY AND CONFIDENTIAL INFORMATION WHICH MUST NOT BE DUPLICATED, USED OR DISCLOSED TO OTHERS, EXCEPT AS EXPRESSLY AUTHORIZED IN WRITING BY KOOLTRONIC, INC.

REVISIONS

SYM	NOTICE	DESCRIPTION	DATE	APPROVED
-	ER 94/152	NEW DRAWING RELEASE	09/27/94	RDG
A	EC 95/49	REVISED RELAY WIRING	2/27/95	MJH
B	EC 98/2	CHANGED TYPE OF RELAY & ASSOCIATED WIRES	4/17/98	JS



ALL DIMENSIONS ARE IN INCHES,  
DIMENSIONS DESIGNATED MM ARE IN MILLIMETERS.

UNLESS OTHERWISE SPECIFIED TOLERANCES NON-ACCUMULATIVE		
TOL. ON	INCHES	MM
.XX	± .02	±
.XXX	± .010	±
ANGULAR		± 1/2°
MATERIAL		
UNITS		
KNA4C7P38,K2NA4C7P38		

DRAWN	<i>Rob George</i>	DATE	09/27/94
CHECKED			
ENG.	S.R.		2/27/95
MFG. ENG.			
APPROVED			



WIRING DIAGRAM

CODE IDENT. NO.	SIZE	DWG. NO.	REV
06223	A	WD-195	B
SCALE 1=1	CAD. REF.	WD000080	SHEET 1 OF 1