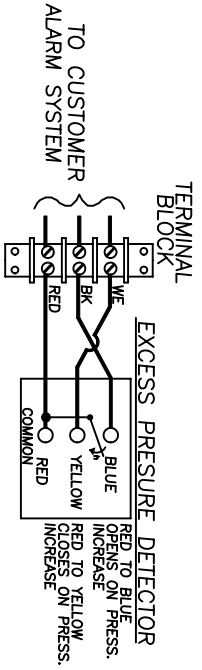
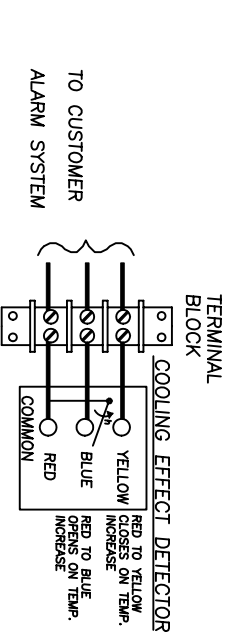
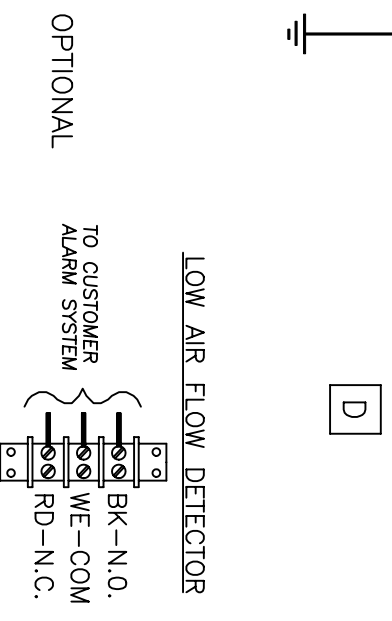
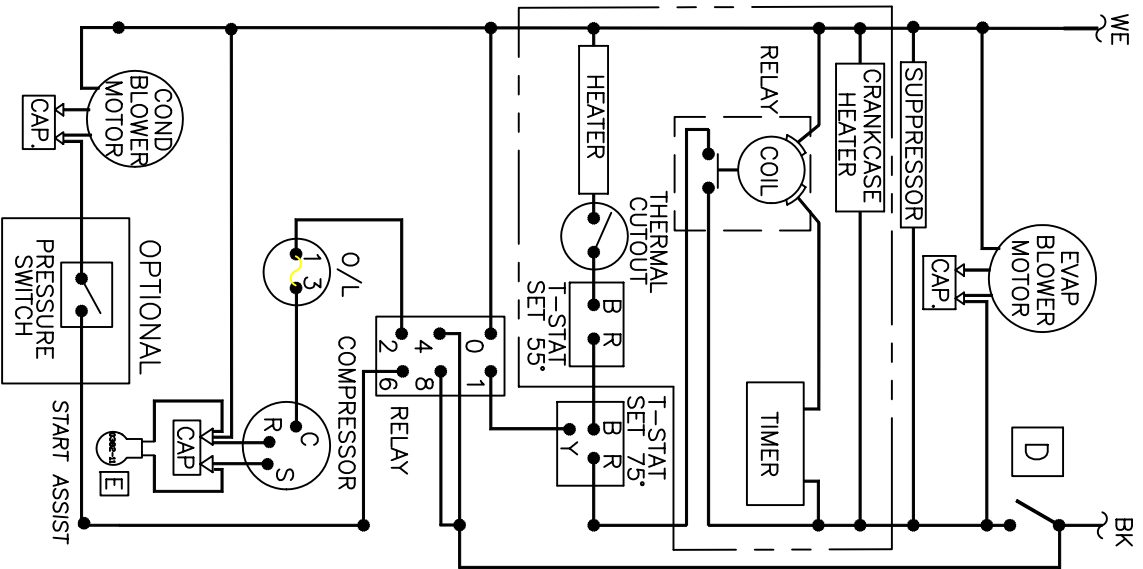


THIS DOCUMENT IS THE PROPERTY OF KOOLTRONIC, INC. AND CONTAINS PROPRIETARY AND CONFIDENTIAL INFORMATION WHICH MUST NOT BE DUPLICATED, USED OR DISCLOSED TO OTHERS, EXCEPT AS EXPRESSLY AUTHORIZED IN WRITING BY KOOLTRONIC, INC.

REVISIONS		DATE	APPROVED
SYM	NOTICE	DESCRIPTION	
-	EC 94/215	NEW DRAWING RELEASE	MJH
A	EC 95/134	ADDED OPTIONAL COIL, THERMAL CUTOUT, & THERMOSTAT.	D W/JT/SR
B	EC 95/264	MOVED CRANKCASE HTR & ADDED HTR	TLR
C	ER 96/25	ADDED U.L. RELAY & SWITCH OPTION.	D W
D	EC 97/48	ADD SWITCH TO BK SIDE OF LADDER DIAGRAM AND REMOVE OPTIONAL SAFETY SWITCH BLOCK	JMB
E	EC 99/146	"E" ADDED START ASSIST 0382-11	RDM



ALL DIMENSIONS ARE IN INCHES, DIMENSIONS DESIGNATED MM ARE IN MILLIMETERS.

UNLESS OTHERWISE SPECIFIED TOLERANCES NON-ACCUMULATIVE		DRAWN	DATE
TOL. ON	INCHES	MARTIN J. RICHSHORN	09/26/94
	MM		
.XX	± .02	CHECKED	
		M.E.M.	9/30/94
.XXX	± .010	ENG.	
		S.R.	9/30/94
ANGULAR		MFG. ENG.	
	± 1/2°		

KOOLTRONIC, INC.
 HOPEWELL, NJ VENTURA, CA USA

WIRING DIAGRAM

CODE IDENT. NO.	SIZE	DWG. NO.	REV
06223	A	WD-198	E
SCALE 1=1	CAD. REF. WD0000083	SHEET 1 OF 1	

UNITS	K2A4C12P47	APPROVED	
	K2A4C12P52, K2A4C12P59	B.K.K.	9/30/94
MATERIAL			