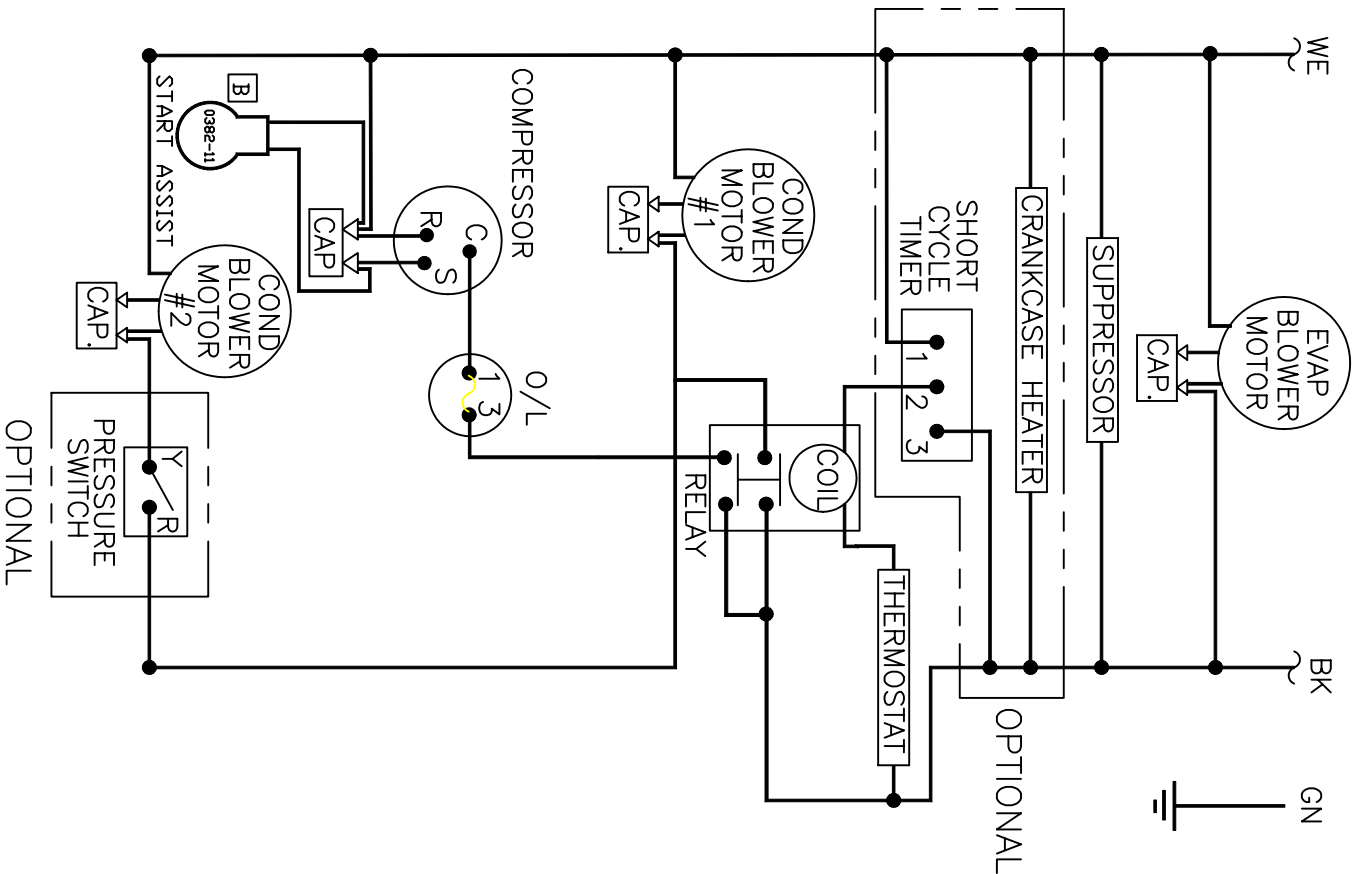


THIS DOCUMENT IS THE PROPERTY OF KOOLTRONIC, INC. AND CONTAINS PROPRIETARY AND CONFIDENTIAL INFORMATION WHICH MUST NOT BE DUPLICATED, USED OR DISCLOSED TO OTHERS, EXCEPT AS EXPRESSLY AUTHORIZED IN WRITING BY KOOLTRONIC, INC.

REVISIONS		DESCRIPTION	DATE	APPROVED
SYM	NOTICE			
-	EC 94/215	NEW DRAWING RELEASE	09/26/94	MJH
A	EC 95/49	REVISED RELAY WIRING	2/27/95	MJH
B	EC 99/146	"B" ADDED START ASSIST 0382-11	8/20/99	RDM



ALL DIMENSIONS ARE IN INCHES,  
DIMENSIONS DESIGNATED MM ARE IN MILLIMETERS.

UNLESS OTHERWISE SPECIFIED TOLERANCES NON-ACCUMULATIVE	DRAWN <i>MARIN JERICSHORN</i>	DATE 09/26/94
TOL. ON INCHES	CHECKED	
.XX ± .02 ±	ENG. S.R.	2/27/95
.XXX ± .010 ±	MFG. ENG.	
ANGULAR ± 1/2°		
MATERIAL		
UNITS K2NA4C7P38/50	APPROVED	
K2NA4C10P38/50, K2NA4C10P38		



HOPEWELL, NJ VENTURA, CA USA

### WIRING DIAGRAM

CODE IDENT. NO. 06223	SIZE A	DWG. NO. WD-199	REV B
SCALE 1=1	CAD. REF. WD0000084	SHEET 1 OF 1	