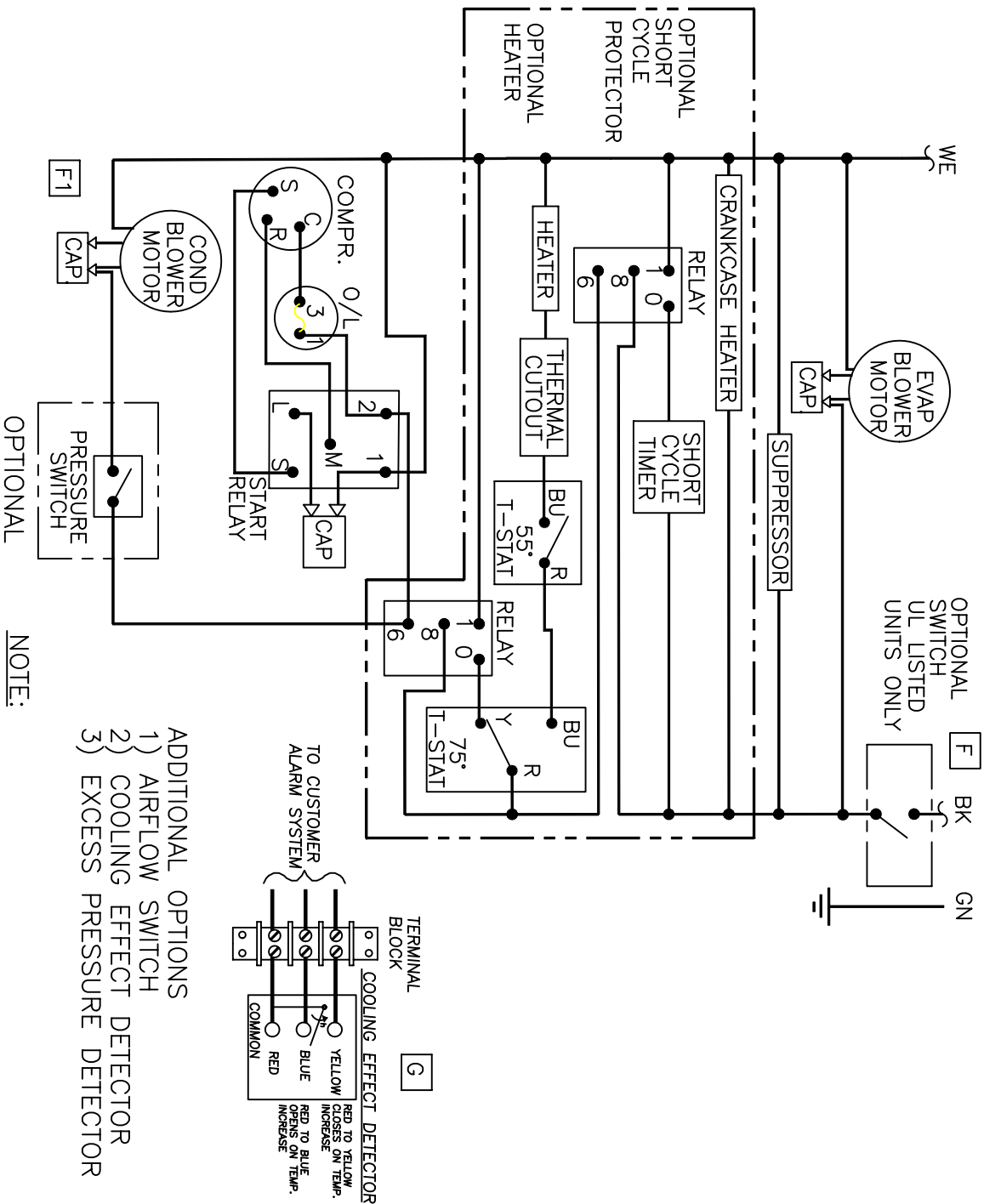


THIS DOCUMENT IS THE PROPERTY OF KOOLTRONIC, INC. AND CONTAINS PROPRIETARY AND CONFIDENTIAL INFORMATION WHICH MUST NOT BE DUPLICATED, USED OR DISCLOSED TO OTHERS, EXCEPT AS EXPRESSLY AUTHORIZED IN WRITING BY KOOLTRONIC, INC.

REVISIONS		DESCRIPTION	DATE	APPROVED
SYM	NOTICE			
D	EC 96/98	REVISED & REDRAWN.	10/21/96	D W
E	EC 98/2	REVISED TITLE BLOCK DESCRIPTION	1/22/98	JS
F	EC 98/205	"F" MOVED SWITCH, "F1" CHANGED WIRING TO BLOWER MOTOR	10/8/98	RDM
G	ER 99/56	ADDED COOLING EFFECT DETECTOR OPTION	4/8/99	RL
H	ER 00/56	ADDED ADDITIONAL OPTIONS	4/27/00	RL



- ADDITIONAL OPTIONS
- 1) AIRFLOW SWITCH
 - 2) COOLING EFFECT DETECTOR
 - 3) EXCESS PRESSURE DETECTOR

NOTE:
 1) ADDITIONAL OPTIONS ARE WIRED TO AN INDIVIDUAL 3 POSITION TERMINAL BLOCK SHOWN ABOVE.

ALL DIMENSIONS ARE IN INCHES, DIMENSIONS DESIGNATED MM ARE IN MILLIMETERS.

UNLESS OTHERWISE SPECIFIED TOLERANCES NON-ACCUMULATIVE		DRAWN	DATE
		MARTIN J. RICHSHORN	09/26/94
TOL. ON	INCHES	CHECKED	9/6/95
	MM	Tracey Reynolds	
.XX	± .02	ENG.	
.XXX	± .010	S.R.	9/11/95
ANGULAR	± 1/2°	MFG. ENG.	

MATERIAL		APPROVED	
UNITS		B.K.K.	9/11/95



HOPEWELL, NJ VENTURA, CA USA

WIRING DIAGRAM

K2A4C4-7NP47L
 K2A4C4-7NP47LS

CODE IDENT. NO.	SIZE	DWG. NO.	REV
06223	A	WD-201	H
SCALE	CAD. REF.	WD0000086	SHEET
1=1			1 OF 1