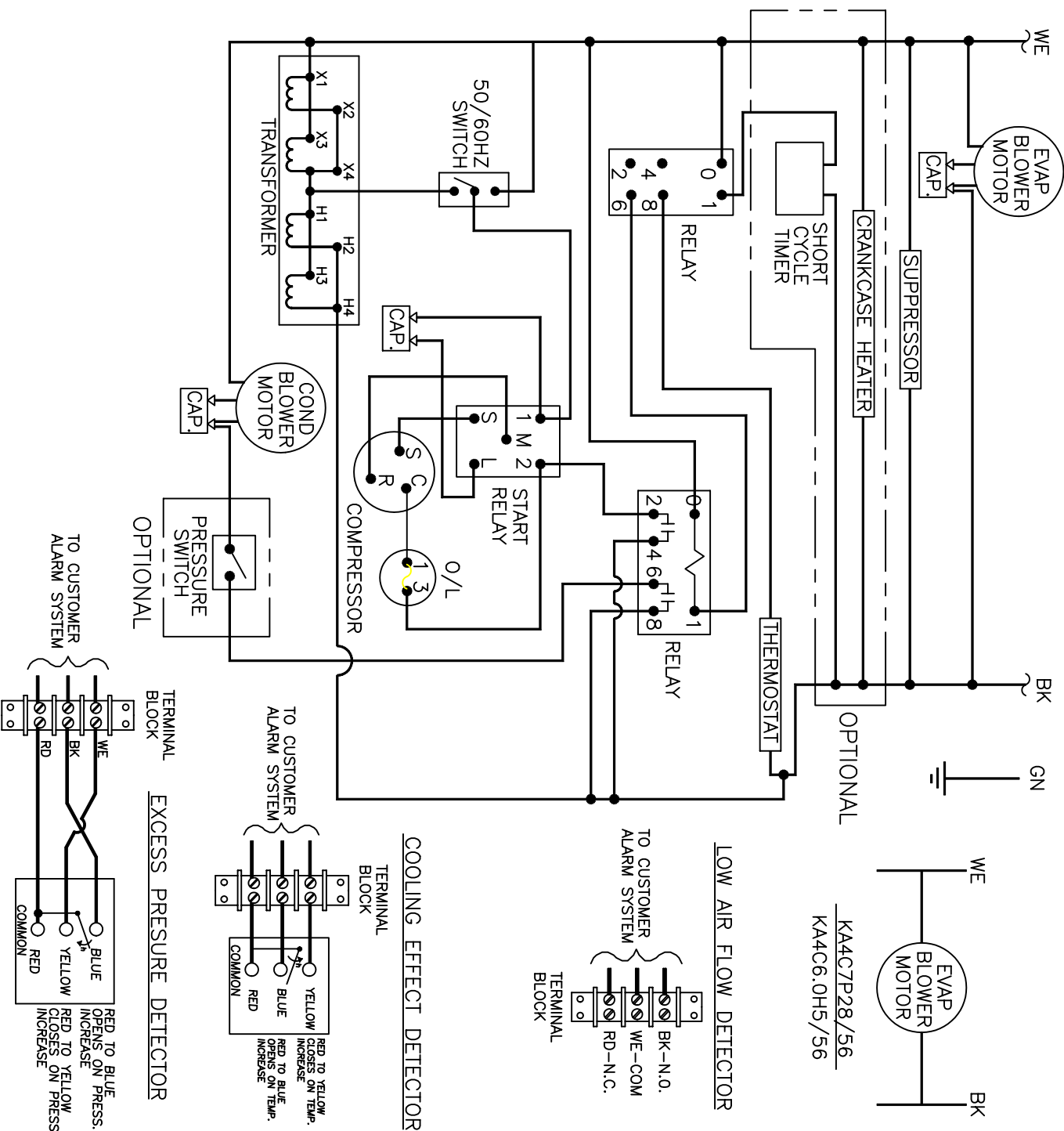


THIS DOCUMENT IS THE PROPERTY OF KOOLTRONIC, INC. AND CONTAINS PROPRIETARY AND CONFIDENTIAL INFORMATION WHICH MUST NOT BE DUPLICATED, USED OR DISCLOSED TO OTHERS, EXCEPT AS EXPRESSLY AUTHORIZED IN WRITING BY KOOLTRONIC, INC.

REVISIONS		DATE	APPROVED
SYM	NOTICE	DESCRIPTION	
-	EC 94/215	NEW DRAWING RELEASE	09/27/94 RDG
A	EC 95/170	ADDED A RELAY - CHANGED WIRING - ADDED BLOWER MOTOR FOR UNIT KA4C7P28/56	7/12/95 B.C.Z./JT
B	EC 99/8	PICTORIALLY CHANGED RELAY TO OMRON RELAY SCHEMATIC FOR CORRECT REPRESENTATION	1/13/99 RL



ALL DIMENSIONS ARE IN INCHES, DIMENSIONS DESIGNATED MM ARE IN MILLIMETERS.

UNLESS OTHERWISE SPECIFIED TOLERANCES NON-ACCUMULATIVE		DRAWN	DATE
TOL. ON INCHES	MM	Rob George	09/27/94
.XX	±	CHECKED M.E.M.	9/30/94
.XXX	± .010	ENG. S.R.	9/30/94
ANGULAR	± 1/2°	MFG. ENG.	

HOPEWELL, NJ VENTURA, CA USA

KOOLTRONIC, INC.

WIRING DIAGRAM

UNITS KA4C7P28/56, KA4C7P47/56 KA4C7P52/56, KA4C7P59/56, KA4C6.0H5	APPROVED B.K.K.	9/30/94
CODE IDENT. NO. 06223	SIZE A	DWG. NO. WD-203
SCALE 1.000=1	CAD. REF. WD0000088	SHEET 1 OF 1