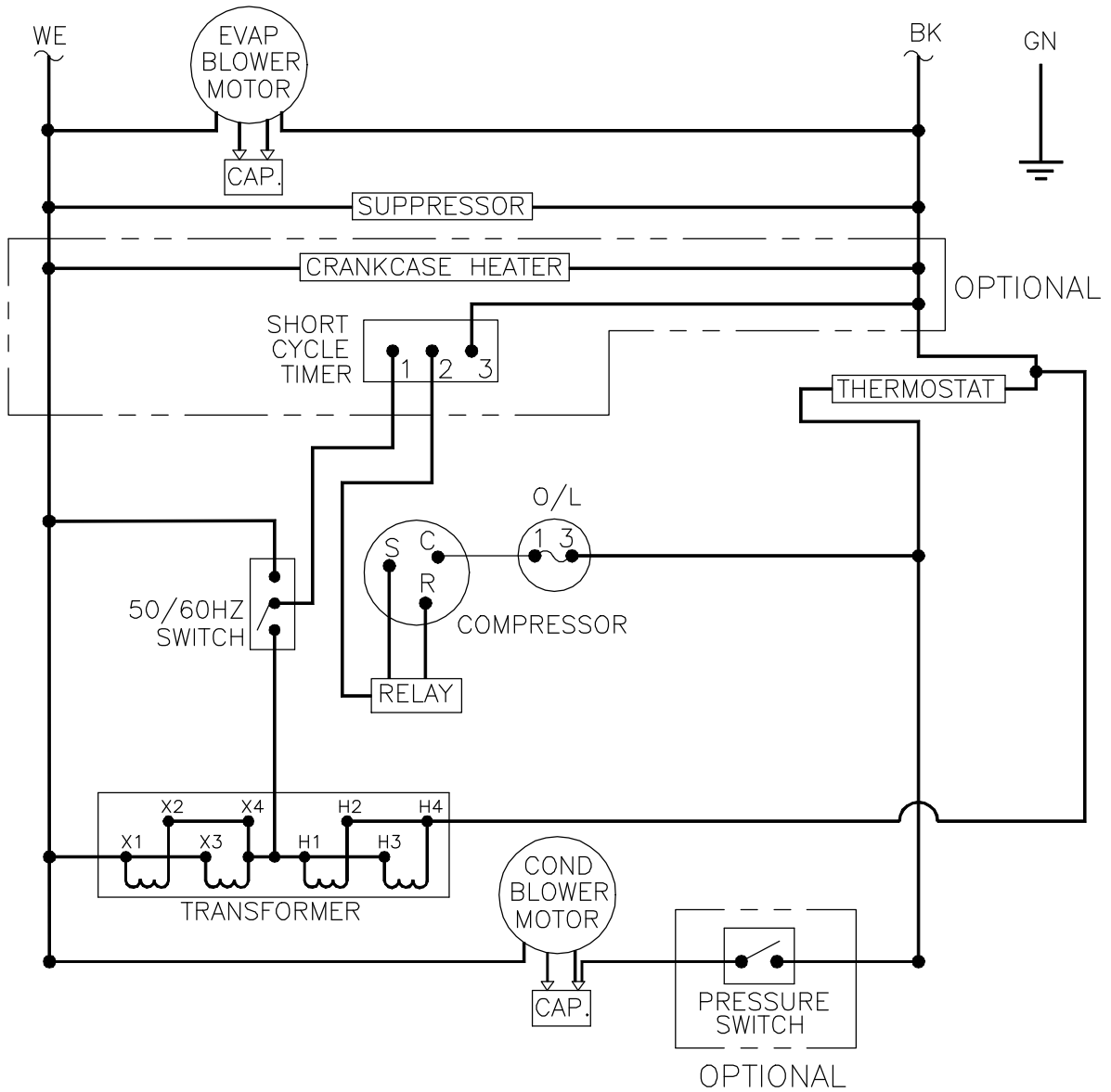


THIS DOCUMENT IS THE PROPERTY OF KOOLTRONIC, INC. AND CONTAINS PROPRIETARY AND CONFIDENTIAL INFORMATION WHICH MUST NOT BE DUPLICATED, USED OR DISCLOSED TO OTHERS, EXCEPT AS EXPRESSLY AUTHORIZED IN WRITING BY KOOLTRONIC, INC.

REVISIONS

SYM	NOTICE	DESCRIPTION	DATE	APPROVED
-	EC 94/215	NEW DRAWING RELEASE	09/28/94	RDG



ALL DIMENSIONS ARE IN INCHES,
DIMENSIONS DESIGNATED MM ARE IN MILLIMETERS.

UNLESS OTHERWISE SPECIFIED TOLERANCES NON-ACCUMULATIVE		
TOL. ON	INCHES	MM
.XX	± .02	±
.XXX	± .010	±
ANGULAR		± 1/2°
MATERIAL		
UNITS	KNA4C4P32/56	

DRAWN <i>Rob George</i>	DATE 09/28/94
CHECKED	
ENG.	
MFG. ENG.	
APPROVED	



WIRING DIAGRAM

CODE IDENT. NO. 06223	SIZE A	DWG. NO. WD-204	REV -
SCALE 1.000=1	CAD. REF. WD000089	SHEET 1 OF 1	