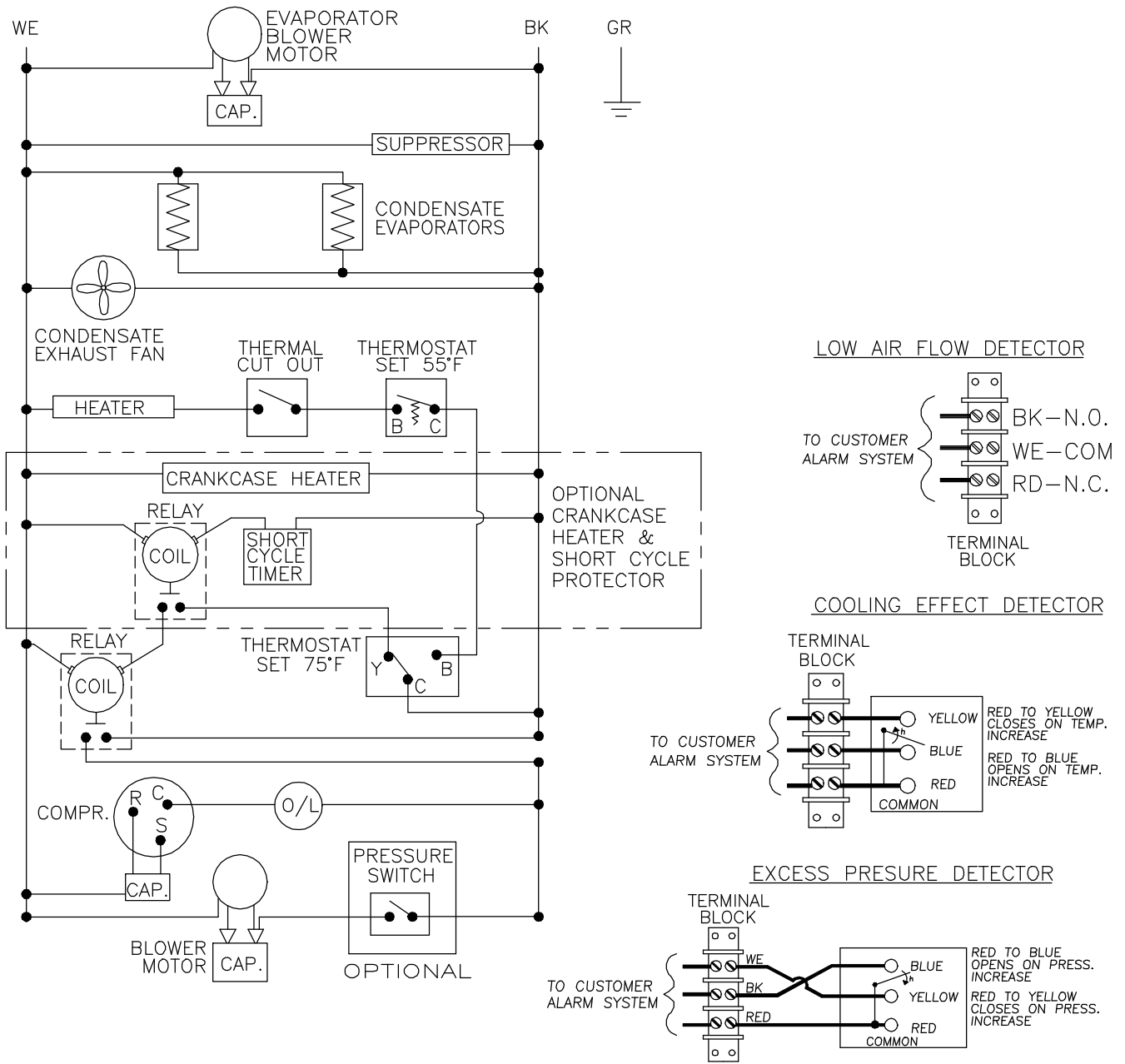


THIS DOCUMENT IS THE PROPERTY OF KOOLTRONIC, INC. AND CONTAINS PROPRIETARY AND CONFIDENTIAL INFORMATION WHICH MUST NOT BE DUPLICATED, USED OR DISCLOSED TO OTHERS, EXCEPT AS EXPRESSLY AUTHORIZED IN WRITING BY KOOLTRONIC, INC.

REVISIONS

SYM	NOTICE	DESCRIPTION	DATE	APPROVED
-	ER 95/106	NEW DRAWING RELEASE	05/08/95	RDG



ALL DIMENSIONS ARE IN INCHES,
DIMENSIONS DESIGNATED MM ARE IN MILLIMETERS.

UNLESS OTHERWISE SPECIFIED TOLERANCES NON-ACCUMULATIVE		
TOL. ON	INCHES	MM
.XX	± .02	±
.XXX	± .010	±
ANGULAR		± 1/2°
MATERIAL		
UNITS K2AC16NP59-4,-5		

DRAWN <i>Rob George</i>	DATE 05/08/95
CHECKED	
ENG.	
MFG. ENG.	
APPROVED	



WIRING DIAGRAM

CODE IDENT. NO. 06223	SIZE A	DWG. NO. WD-217	REV -
SCALE 1.000=1	CAD. REF. WD000103	SHEET 1 OF 1	