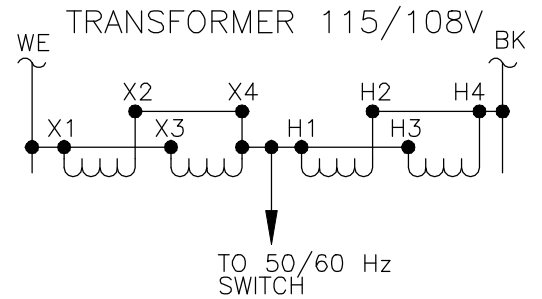
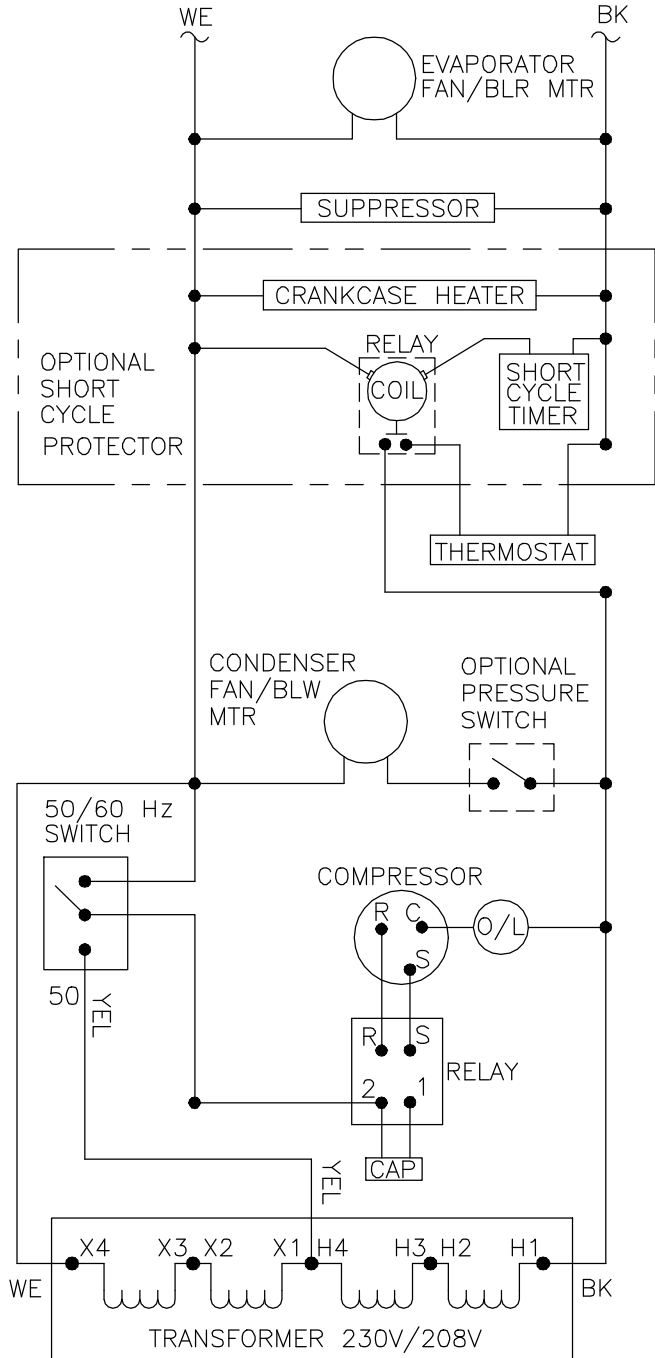


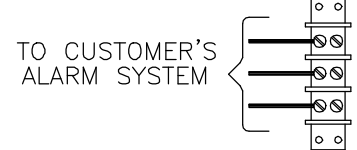
THIS DOCUMENT IS THE PROPERTY OF KOOLTRONIC, INC. AND CONTAINS PROPRIETARY AND CONFIDENTIAL INFORMATION WHICH MUST NOT BE DUPLICATED, USED OR DISCLOSED TO OTHERS, EXCEPT AS EXPRESSLY AUTHORIZED IN WRITING BY KOOLTRONIC, INC.

REVISIONS

SYM	NOTICE	DESCRIPTION	DATE	APPROVED
-	ER 95/226	NEW DRAWING RELEASE	10/03/95	D W



TERMINAL BLOCK ON UNIT



- ADDITIONAL OPTIONS
- 1) AIRFLOW SWITCH
  - 2) COOLING EFFECT DETECTOR
  - 3) EXCESS PRESSURE DETECTOR

NOTES:

- 1) ADDITIONAL OPTIONS ARE WIRED TO AN INDIVIDUAL 3 POSITION TERMINAL BLOCK SHOWN ABOVE.

ALL DIMENSIONS ARE IN INCHES, DIMENSIONS DESIGNATED MM ARE IN MILLIMETERS.

UNLESS OTHERWISE SPECIFIED TOLERANCES NON-ACCUMULATIVE		
TOL. ON	INCHES	MM
.XX	± .02	±
.XXX	± .010	±
ANGULAR		± 1/2°
MATERIAL		
UNITS	K2A4C2.5NM/56	

DRAWN D. WALDRON	DATE 10/03/95
CHECKED	
ENG.	
MFG. ENG.	
APPROVED	



WIRING DIAGRAM

CODE IDENT. NO. 06223	SIZE A	DWG. NO. WD-221	REV -
SCALE 1=1	CAD. REF. WD000109	SHEET 1 OF 1	