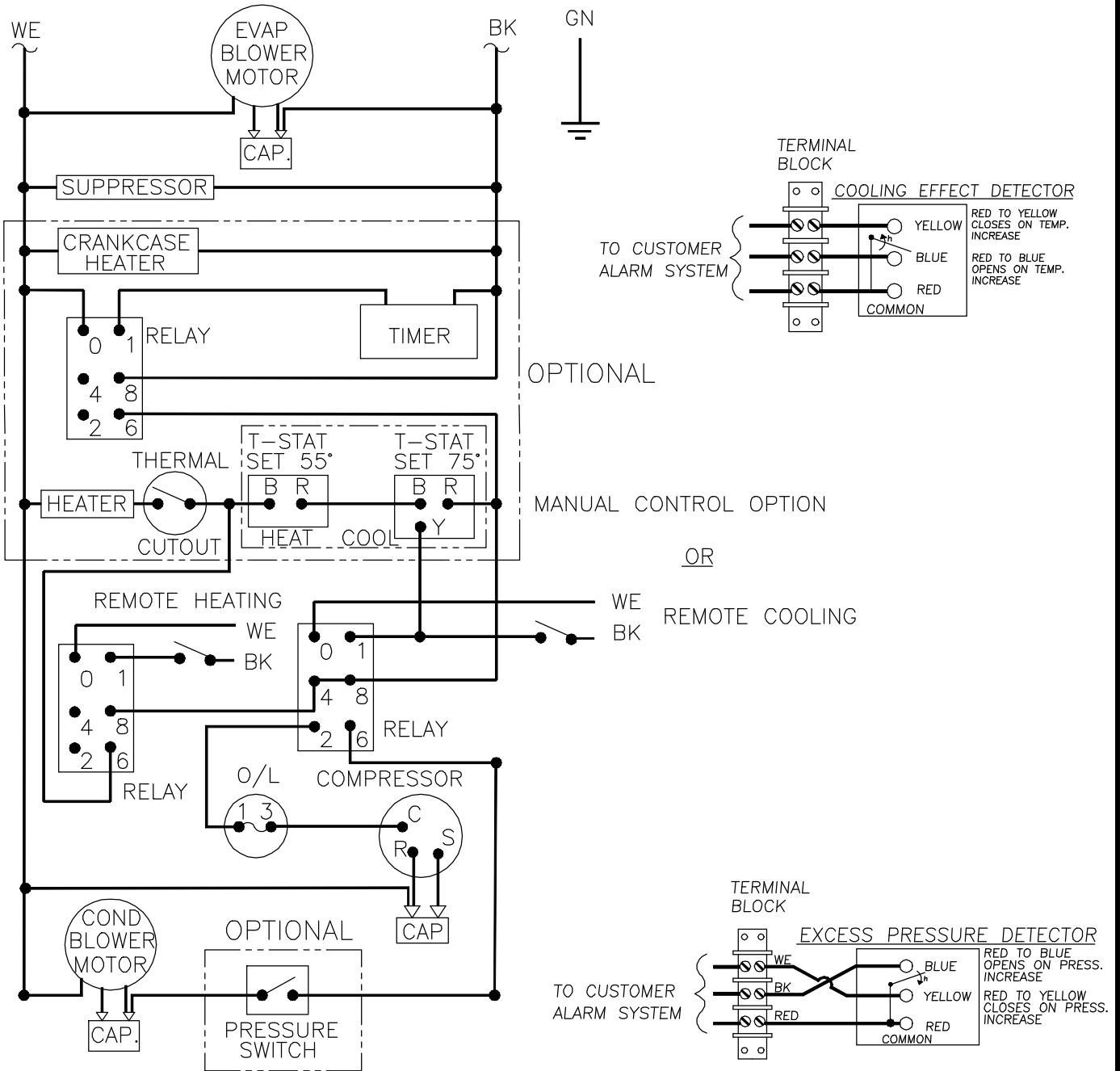


THIS DOCUMENT IS THE PROPERTY OF KOOLTRONIC, INC. AND CONTAINS PROPRIETARY AND CONFIDENTIAL INFORMATION WHICH MUST NOT BE DUPLICATED, USED OR DISCLOSED TO OTHERS, EXCEPT AS EXPRESSLY AUTHORIZED IN WRITING BY KOOLTRONIC, INC.

REVISIONS

SYM	NOTICE	DESCRIPTION	DATE	APPROVED
-	ER 95/302	NEW DRAWING RELEASE	12/13/95	D W/MM



ALL DIMENSIONS ARE IN INCHES,
DIMENSIONS DESIGNATED MM ARE IN MILLIMETERS.

UNLESS OTHERWISE SPECIFIED TOLERANCES NON-ACCUMULATIVE		
TOL. ON	INCHES	MM
.XX	± .02	±
.XXX	± .010	±
ANGULAR		± 1/2°
MATERIAL		
UNITS K2A4C8NP47HP-1 K2A4C10-12NP47HP		

DRAWN D. WALDRON	DATE 12/13/95
CHECKED	
ENG. S.R.	12/28/95
MFG. ENG.	
APPROVED B.K.K.	12/28/95


KOOLTRONIC, INC.
 HOPEWELL, NJ VENTURA, CA USA

WIRING DIAGRAM			
CODE IDENT. NO. 06223	SIZE A	DWG. NO. WD-224	REV -
SCALE 1=1	CAD. REF. WD000111	SHEET 1 OF 1	