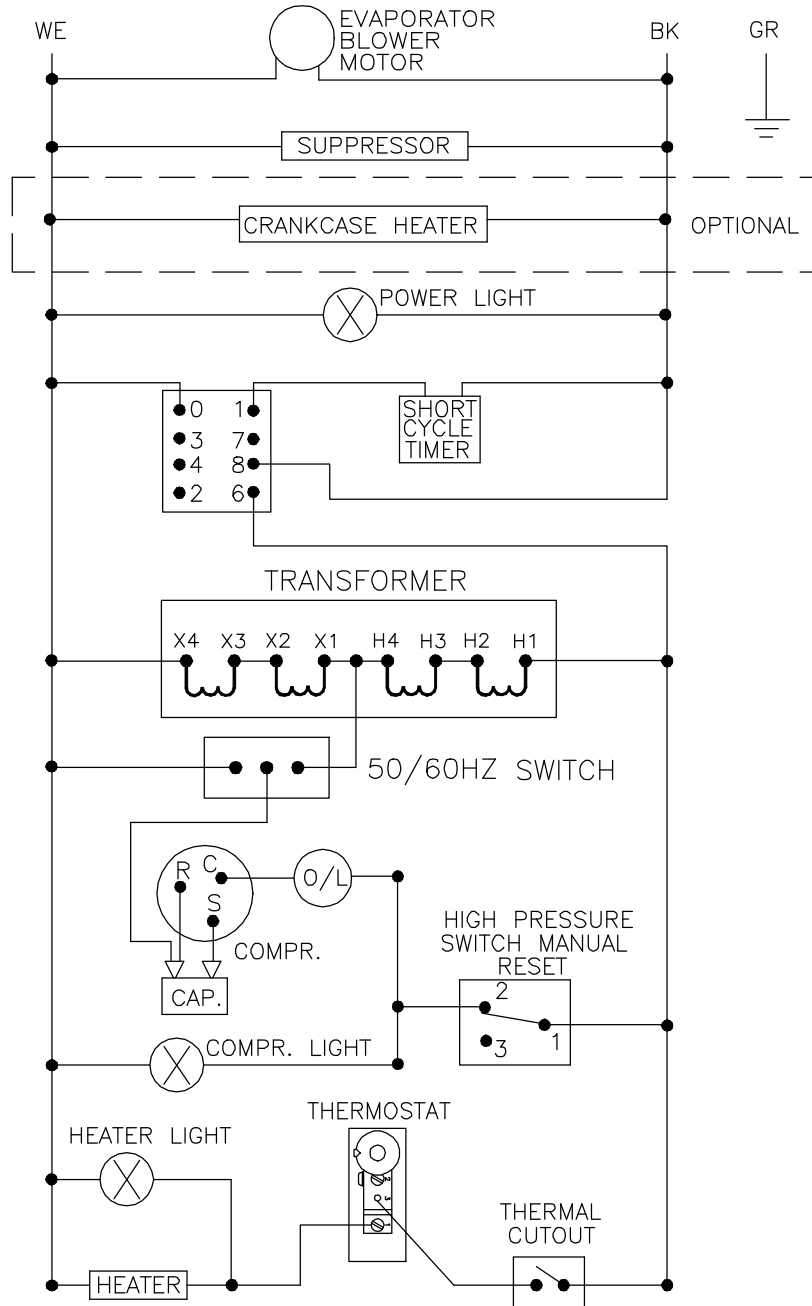


THIS DOCUMENT IS THE PROPERTY OF KOOLTRONIC, INC. AND CONTAINS PROPRIETARY AND CONFIDENTIAL INFORMATION WHICH MUST NOT BE DUPLICATED, USED OR DISCLOSED TO OTHERS, EXCEPT AS EXPRESSLY AUTHORIZED IN WRITING BY KOOLTRONIC, INC.

REVISIONS

SYM	NOTICE	DESCRIPTION	DATE	APPROVED
-	ER 97/19	NEW DRAWING RELEASE	2/11/97	JB/MM/JD/BK
A	EC 98/29	REV. THERMOSTAT WIRING FOR CLARITY	2/19/98	SDS



ALL DIMENSIONS ARE IN INCHES,
DIMENSIONS DESIGNATED MM ARE IN MILLIMETERS.

UNLESS OTHERWISE SPECIFIED TOLERANCES NON-ACCUMULATIVE		
TOL. ON	INCHES	MM
.XX	± .02	±
.XXX	± .010	±
ANGULAR		± 1/2°
MATERIAL		
UNITS	K2A3C6W56-1	

DRAWN	J. BARNARD	DATE	2/11/97
CHECKED	M.E.M.		2/13/97
ENG.	JWD		2/14/97
MFG. ENG.			
APPROVED	BKK		2/21/97



WIRING DIAGRAM

CODE IDENT. NO.	SIZE	DWG. NO.	REV
06223	A	WD-286	A
SCALE	CAD. REF.	SHEET	1 OF 1
NONE	WD000175		