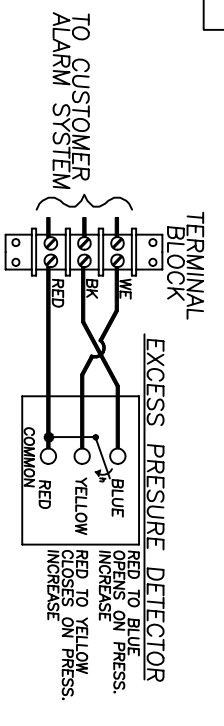
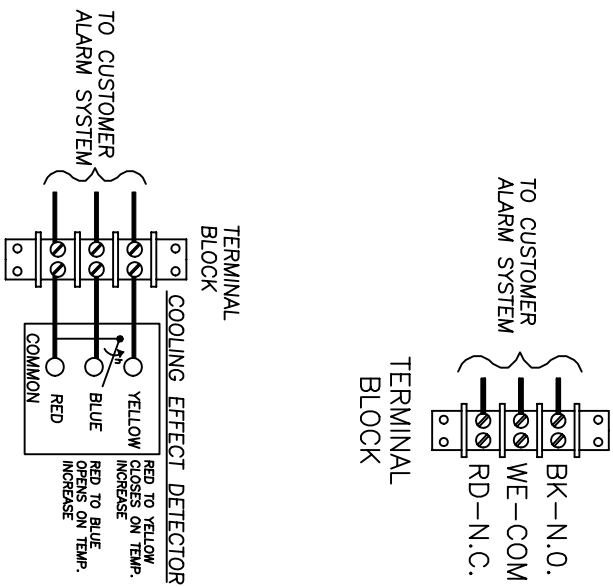
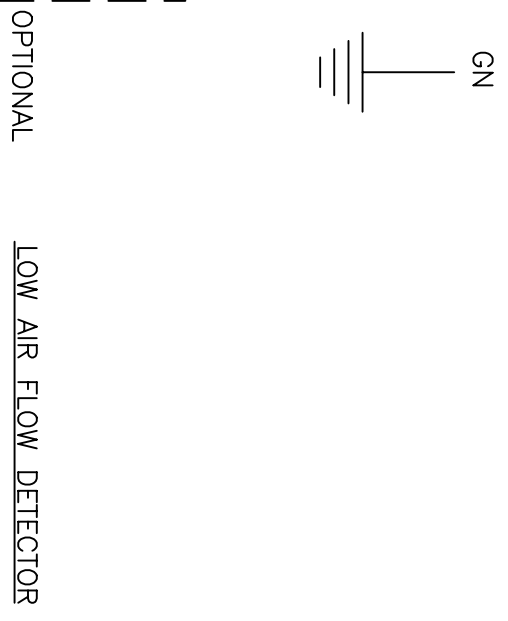
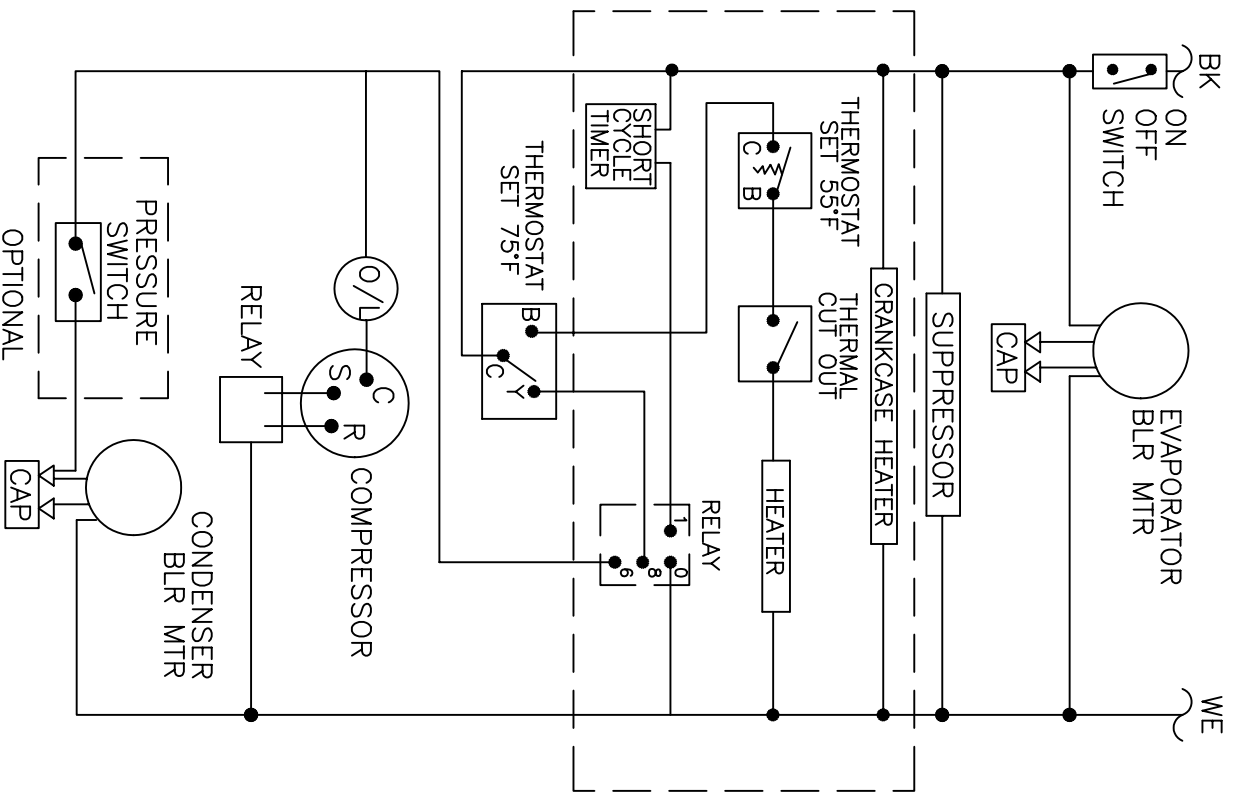


REVISIONS		DESCRIPTION	DATE	APPROVED
SYM	NOTICE			
-	ER 97/105	NEW DRAWING RELEASE	5/19/97	RDM
A	ER 99/4	REV. & REDRAWN: ADDED OPTIONAL HTR. THERM. CUT OFF	1/13/99	SDS

THIS DOCUMENT IS THE PROPERTY OF KOOLTRONIC, INC. AND CONTAINS PROPRIETARY AND CONFIDENTIAL INFORMATION WHICH MUST NOT BE DUPLICATED, USED OR DISCLOSED TO OTHERS, EXCEPT AS EXPRESSLY AUTHORIZED IN WRITING BY KOOLTRONIC, INC.



ALL DIMENSIONS ARE IN INCHES, DIMENSIONS DESIGNATED MM ARE IN MILLIMETERS.

UNLESS OTHERWISE SPECIFIED TOLERANCES NON-ACCUMULATIVE	DRAWN	R.D. MOORE	DATE	5/19/97
TOL. ON INCHES	MM	CHECKED		
.XX	± .02	ENG.		
.XXX	± .010	MFG. ENG.		
ANGULAR	± 1/2°			
MATERIAL				
UNITS	KA4C4NP28L / K2A4C4NP28L5	APPROVED		

KOOLTRONIC, INC.
HOPEWELL, NJ VENTURA, CA USA

WIRING DIAGRAM

CODE IDENT. NO.	SIZE	DWG. NO.	REV
06223	A	WD-299	A
SCALE 1=1	CAD. REF. WD0000190	SHEET 1 OF 1	