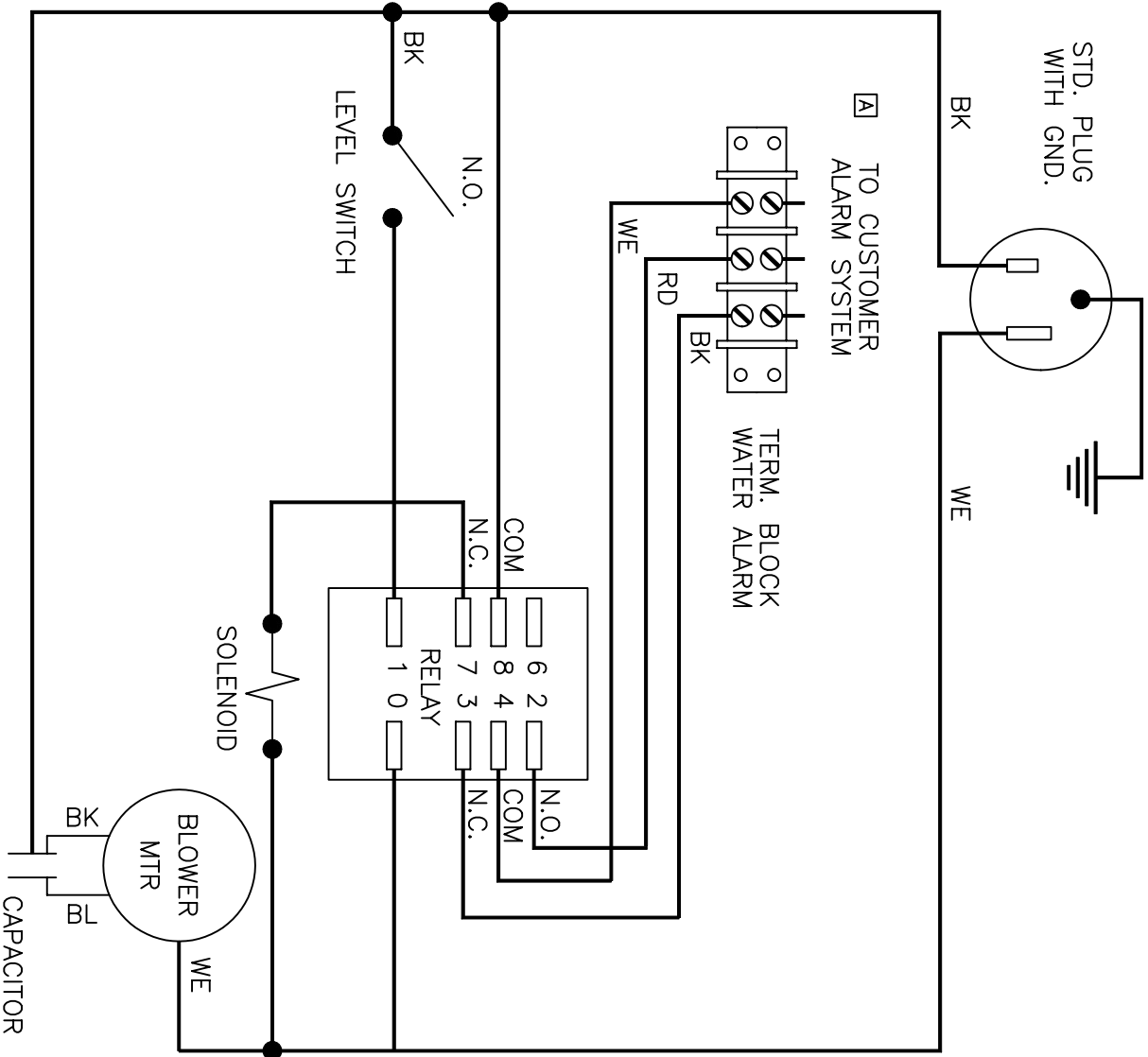



THIS DOCUMENT IS THE PROPERTY OF KOOLTRONIC, INC. AND CONTAINS PROPRIETARY AND CONFIDENTIAL INFORMATION WHICH MUST NOT BE DUPLICATED, USED OR DISCLOSED TO OTHERS, EXCEPT AS EXPRESSLY AUTHORIZED IN WRITING BY KOOLTRONIC, INC.

REVISIONS		DESCRIPTION	DATE	APPROVED
SYM	NOTICE			
-	ER 97/92	NEW DRAWING RELEASE	6/3/97	DW/MEM
A	EC 99/1	ADDED CUSTOMER ALARM NOTE	11/24/99	MRM/JC



ALL DIMENSIONS ARE IN INCHES, DIMENSIONS DESIGNATED MM ARE IN MILLIMETERS.

UNLESS OTHERWISE SPECIFIED TOLERANCES NON-ACCUMULATIVE		DRAWN	DATE
		D. WALDRON	05/29/97
TOL. ON	INCHES	CHECKED	
	MM		
.XX	± .02	ENG.	
.XXX	± .010	JC	12/13/99
ANGULAR	± 1/2°	MFG. ENG.	
MATERIAL			
UNITS KPHE39CW			
APPROVED			



**KOOLTRONIC, INC.**  
HOPEWELL, NJ VENTURA, CA USA

**WIRING DIAGRAM**  
**HEAT EXCHANGER**

CODE IDENT. NO.:	SIZE	DWG. NO.	REV
06223	A	WD-302	A
SCALE 1.000=1	CAD. REF. WD000191	SHEET	1 OF 1