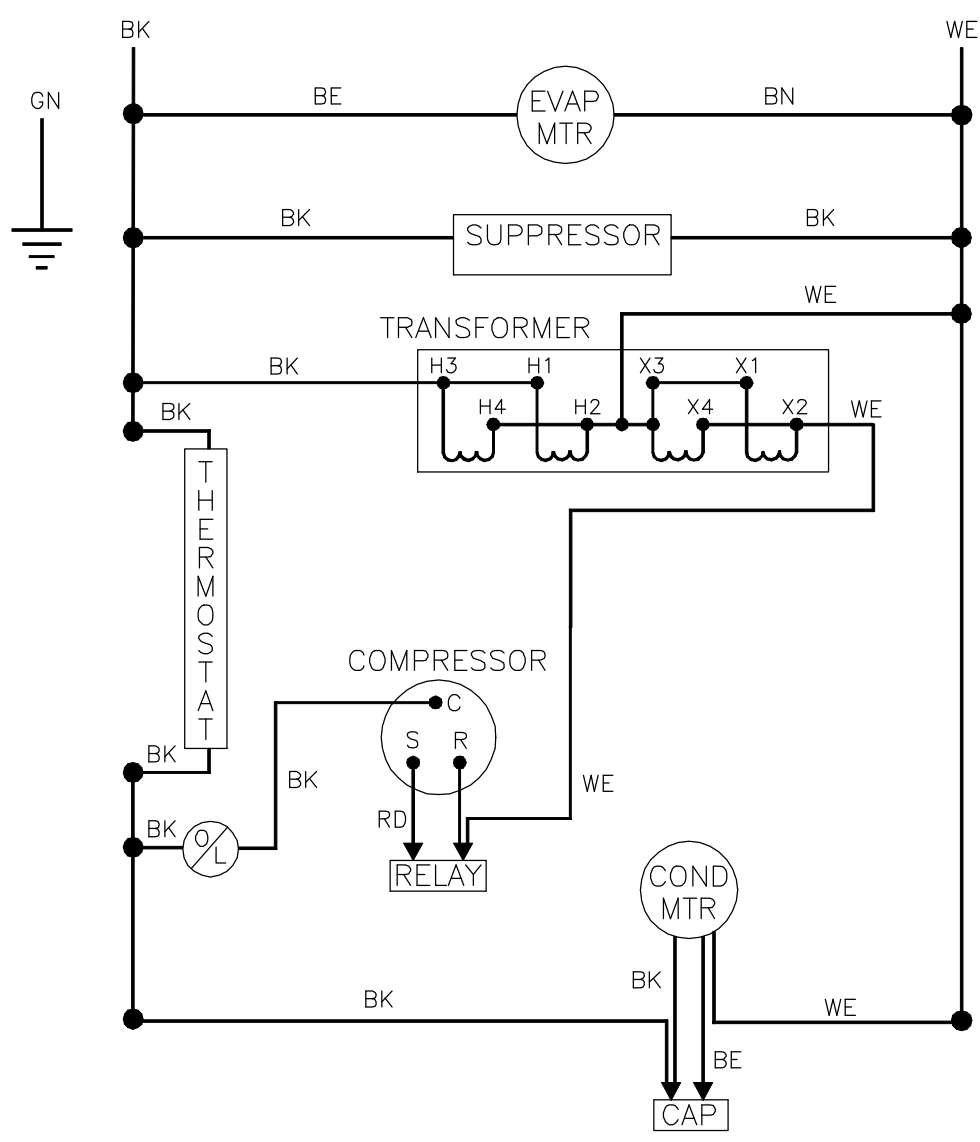


REVISIONS				
SYM	NOTICE	DESCRIPTION	DATE	APPROVED
-	ER 97/123	NEW DRAWING RELEASE	6/13/97	SDS

THIS DOCUMENT IS THE PROPERTY OF KOOLTRONIC, INC. AND CONTAINS PROPRIETARY AND CONFIDENTIAL INFORMATION WHICH MUST NOT BE DUPLICATED, USED OR DISCLOSED OTHER THAN AS EXPRESSLY AUTHORIZED BY KOOLTRONIC, INC.



ALL DIMENSIONS ARE IN INCHES,  
DIMENSIONS DESIGNATED MM ARE IN MILLIMETERS.

UNLESS OTHERWISE SPECIFIED TOLERANCES NON-ACCUMULATIVE			DRAWN STEVE S.	DATE 6/13/97
TOL. ON	INCHES	MM	CHECKED	
.XX	± .02	±	ENG.	
.XXX	± .010	±	MFG. ENG.	
ANGULAR		± 1/2°		
MATERIAL				
UNITS KA4C3P28LAN-1			APPROVED	



## WIRING DIAGRAM

CODE IDENT. NO. 06223	SIZE A	DWG. NO. WD-303	REV -
SCALE 1=1	CAD. REF. WD000192	SHEET 1 OF 1	