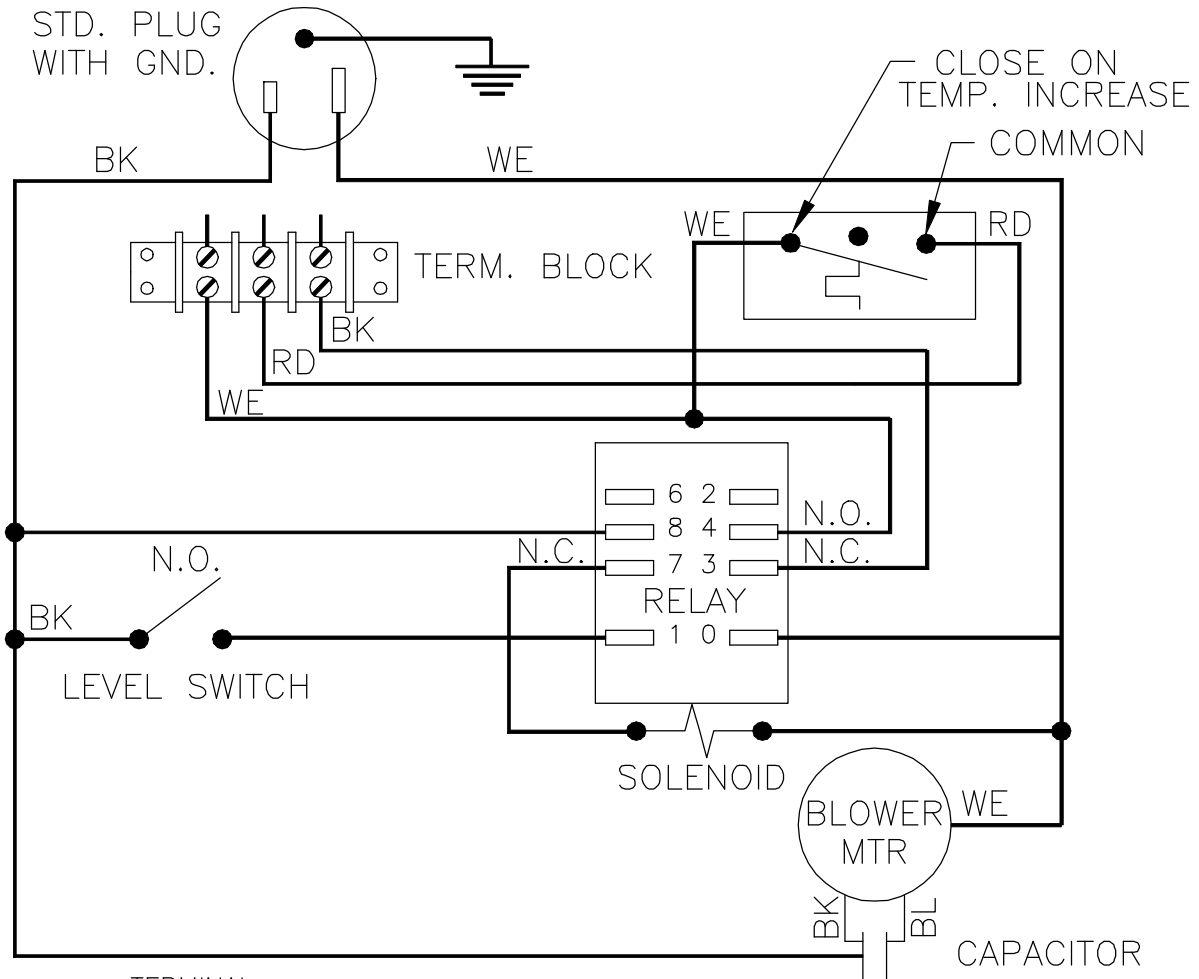


THIS DOCUMENT IS THE PROPERTY OF KOOLTRONIC, INC. AND CONTAINS PROPRIETARY AND CONFIDENTIAL INFORMATION WHICH MUST NOT BE DUPLICATED, USED OR DISCLOSED TO OTHERS, EXCEPT AS EXPRESSLY AUTHORIZED IN WRITING BY KOOLTRONIC, INC.

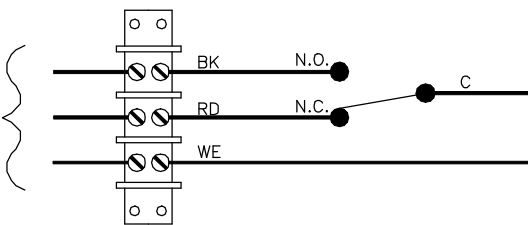
REVISIONS

SYM	NOTICE	DESCRIPTION	DATE	APPROVED
-	ER 97/116	NEW DRAWING RELEASE	6/13/97	D W



TERMINAL BLOCK

TO CUSTOMER ALARM SYSTEM



ALL DIMENSIONS ARE IN INCHES, DIMENSIONS DESIGNATED MM ARE IN MILLIMETERS.

UNLESS OTHERWISE SPECIFIED TOLERANCES NON-ACCUMULATIVE		
TOL. ON	INCHES	MM
.XX	± .02	±
.XXX	± .010	±
ANGULAR		± 1/2°
MATERIAL		
UNITS	KPHE39CDM	

DRAWN D. WALDRON	DATE 6/13/97
CHECKED	
ENG.	
MFG. ENG.	
APPROVED	



WIRING DIAGRAM
KPHE39CDM

CODE IDENT. NO. 06223	SIZE A	DWG. NO. WD-304	REV -
SCALE 1.000=1	CAD. REF. WD000193	SHEET 1 OF 1	