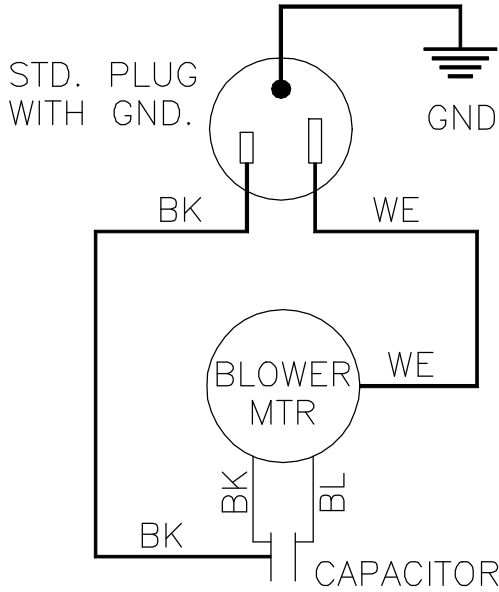



REVISIONS				
SYM	NOTICE	DESCRIPTION	DATE	APPROVED
-	ER 97/144	NEW DRAWING RELEASE	8/20/97	JMB

THIS DOCUMENT IS THE PROPERTY OF KOOLTRONIC, INC. AND CONTAINS PROPRIETARY AND CONFIDENTIAL INFORMATION WHICH MUST NOT BE DUPLICATED, USED OR DISCLOSED OTHER THAN AS EXPRESSLY AUTHORIZED BY KOOLTRONIC, INC.



ALL DIMENSIONS ARE IN INCHES, DIMENSIONS DESIGNATED MM ARE IN MILLIMETERS.				
UNLESS OTHERWISE SPECIFIED TOLERANCES NON-ACCUMULATIVE			DRAWN J. BARNARD	DATE 8/20/97
TOL. ON	INCHES	MM	CHECKED	
.XX	± .02	±	ENG. S. ARKUSZEWSKI	8/20/97
.XXX	± .010	±	MFG. ENG.	
ANGULAR		± 1/2°		
MATERIAL				
UNITS KPHE39			APPROVED BKK	8/20/97



HOPEWELL, NJ VENTURA, CA USA

WIRING DIAGRAM

CODE IDENT. NO. 06223	SIZE A	DWG. NO. WD-308	REV -
SCALE 1=1	CAD. REF. WD000197	SHEET 1 OF 1	