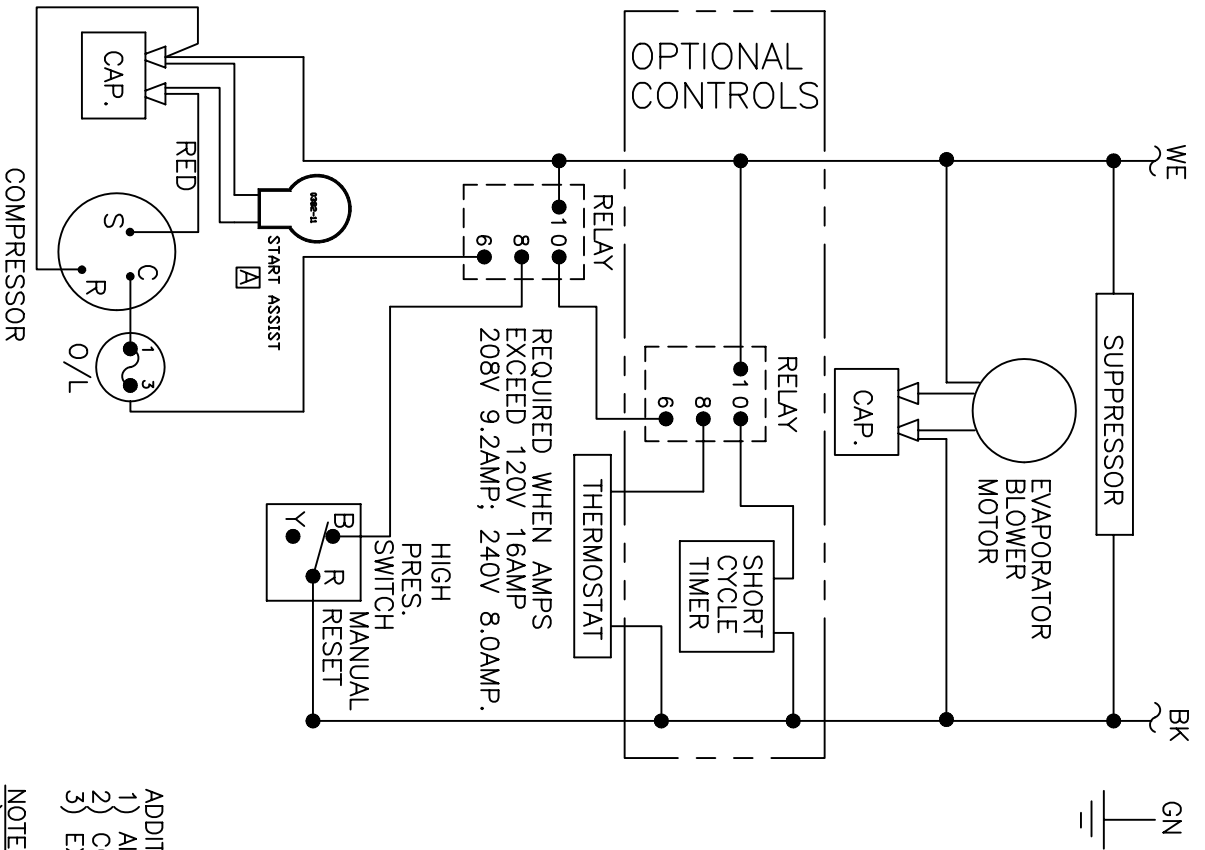


REVISIONS		DESCRIPTION	DATE	APPROVED
SYM	NOTICE			
-	ER 97/233	NEW DRAWING RELEASE	12/18/97	SDS
A	EC 99/146	"A" ADDED START ASSIST 0382-11	8/19/99	RDM

THIS DOCUMENT IS THE PROPERTY OF KOOLTRONIC, INC. AND CONTAINS PROPRIETARY AND CONFIDENTIAL INFORMATION WHICH MUST NOT BE DUPLICATED, USED OR DISCLOSED TO OTHERS, EXCEPT AS EXPRESSLY AUTHORIZED IN WRITING BY KOOLTRONIC, INC.



- ADDITIONAL OPTIONS
- 1) AIRFLOW SWITCH
  - 2) COOLING EFFECT DETECTOR
  - 3) EXCESS PRESSURE DETECTOR

NOTES:  
 1) ADDITIONAL OPTIONS ARE WIRED TO AN INDIVIDUAL 3 POSITION TERMINAL BLOCK SHOWN ABOVE.  
 2) 50Hz: CONTACT KOOLTRONIC

ALL DIMENSIONS ARE IN INCHES, DIMENSIONS DESIGNATED MM ARE IN MILLIMETERS.

UNLESS OTHERWISE SPECIFIED TOLERANCES NON-ACCUMULATIVE		DRAWN	DATE
TOL. ON	INCHES	STEVE S.	12/18/97
.XX	± .02	CHECKED	
.XXX	± .010	ENG.	
ANGULAR	± 1/2°	MFG. ENG.	

MATERIAL	UNITS	APPROVED



**KOOLTRONIC, INC.**  
 HOPEWELL, NJ VENTURA, CA USA

WIRING DIAGRAM  
 K2A4C12WP52

CODE IDENT. NO. 06223	SIZE A	DWG. NO. WD-312	REV A
SCALE 1=1	CAD. REF. WD000199	SHEET 1	OF 1