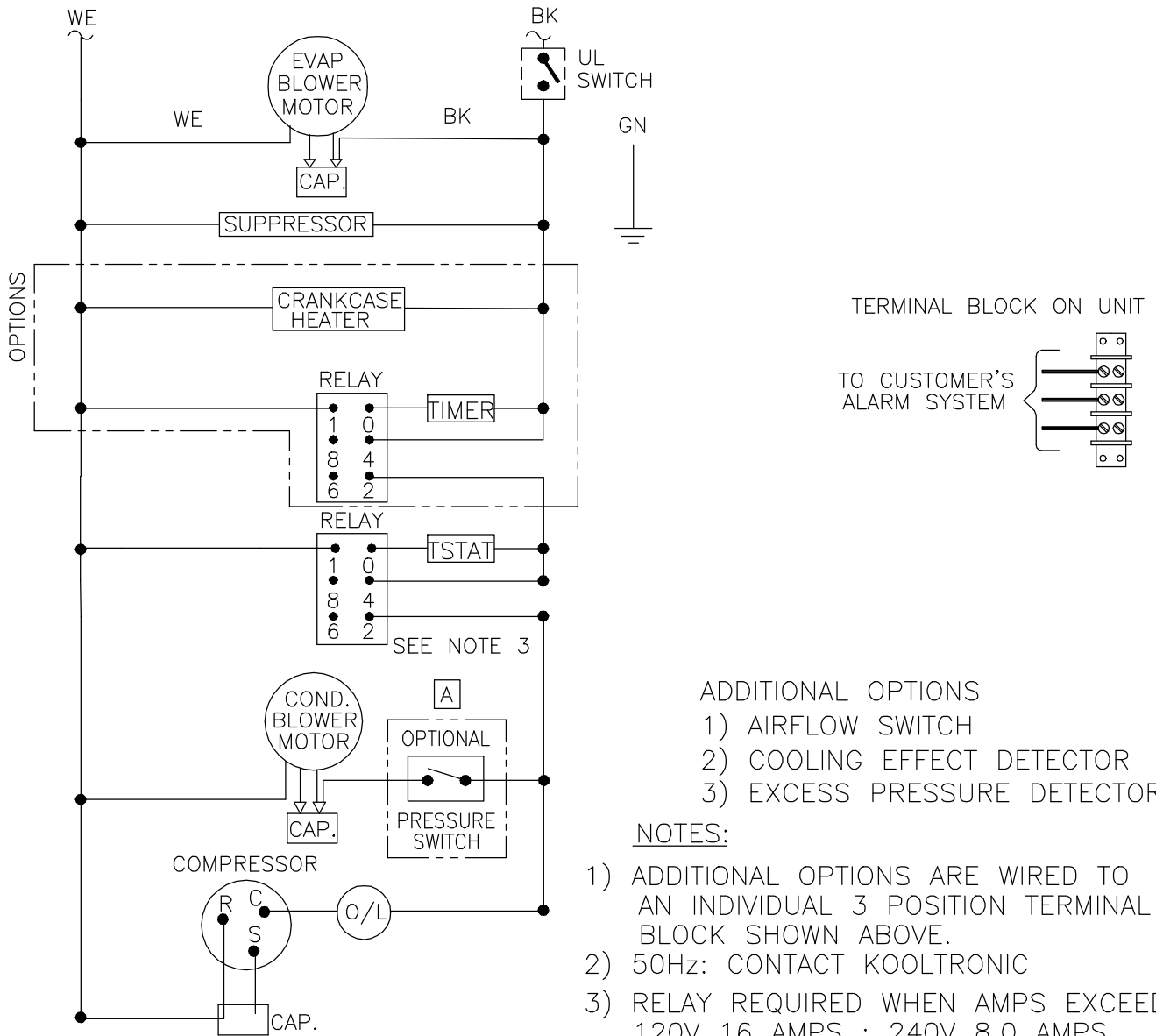


THIS DOCUMENT IS THE PROPERTY OF KOOLTRONIC, INC. AND CONTAINS PROPRIETARY AND CONFIDENTIAL INFORMATION WHICH MUST NOT BE DUPLICATED, USED OR DISCLOSED TO OTHERS, EXCEPT AS EXPRESSLY AUTHORIZED IN WRITING BY KOOLTRONIC, INC.

REVISIONS


SYM	NOTICE	DESCRIPTION	DATE	APPROVED
-	EC 98/2	NEW DRAWING RELEASE	2/5/98	RDM
A	ER 98/119	ADD OPTIONAL PRESSURE SWITCH	6/1/98	JMB/JWD/BKK



ALL DIMENSIONS ARE IN INCHES, DIMENSIONS DESIGNATED MM ARE IN MILLIMETERS.

UNLESS OTHERWISE SPECIFIED TOLERANCES NON-ACCUMULATIVE		
TOL. ON	INCHES	MM
.XX	± .02	±
.XXX	± .010	±
ANGULAR		± 1/2°
MATERIAL		
UNITS	KA3C8P36R K2A3C8P36L	

DRAWN <i>R.D. MOORE</i>	DATE 2/5/98
CHECKED	
ENG.	
MFG. ENG.	
APPROVED	



HOPEWELL, NJ VENTURA, CA USA

WIRING DIAGRAM

CODE IDENT. NO. 06223	SIZE A	DWG. NO. WD-327	REV A
SCALE 7/8=1	CAD. REF. WD000216	SHEET 1 OF 1	