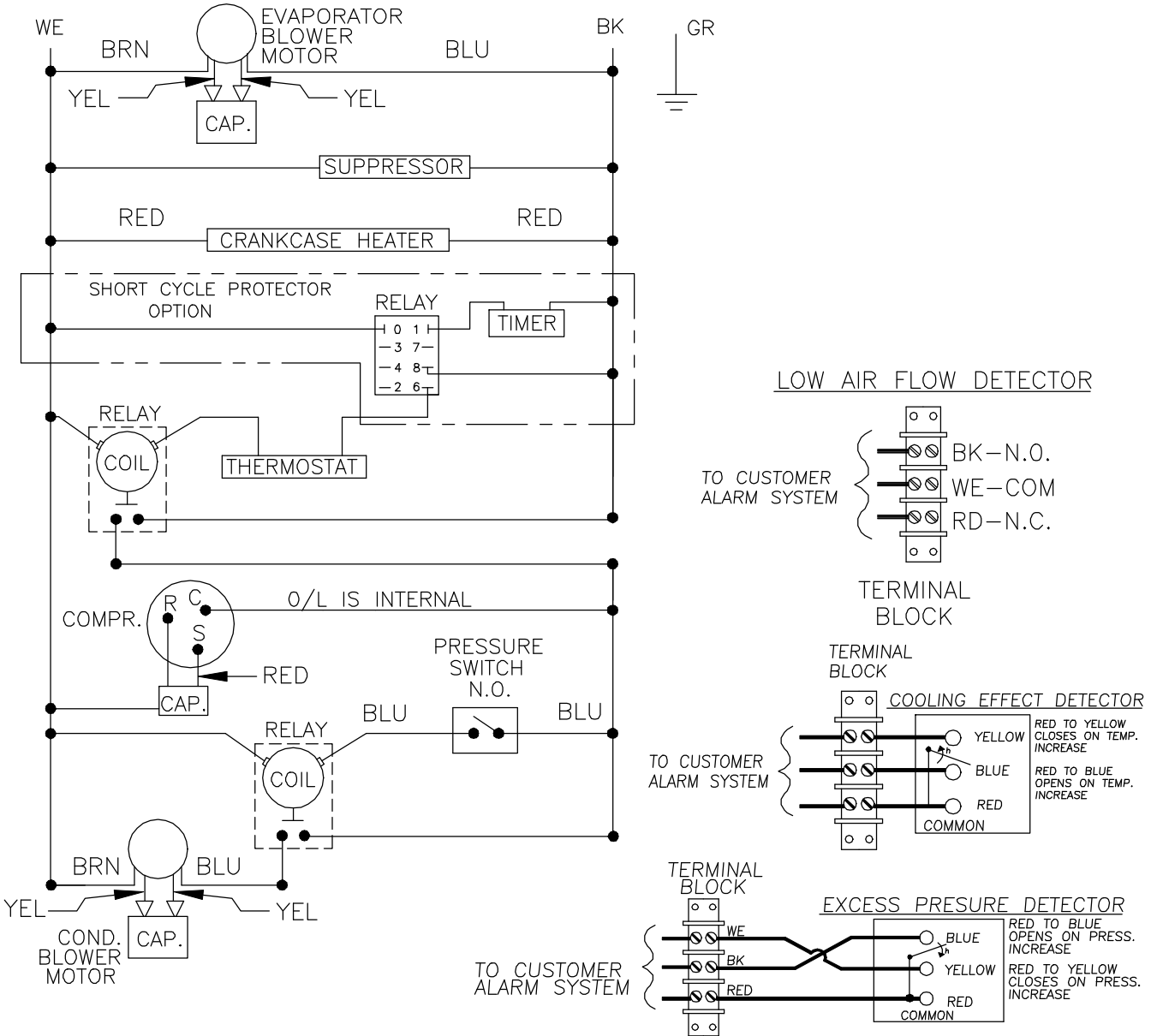


THIS DOCUMENT IS THE PROPERTY OF KOOLTRONIC, INC. AND CONTAINS PROPRIETARY AND CONFIDENTIAL INFORMATION WHICH MUST NOT BE DUPLICATED, USED OR DISCLOSED TO OTHERS, EXCEPT AS EXPRESSLY AUTHORIZED IN WRITING BY KOOLTRONIC, INC.

REVISIONS

SYM	NOTICE	DESCRIPTION	DATE	APPROVED
-	ER 98/65	NEW DRAWING RELEASE	4/7/98	JMB
A	ER 98/218	ADDED OPTIONAL RELAY AND TIMER	10/26/98	JS



ALL DIMENSIONS ARE IN INCHES, DIMENSIONS DESIGNATED MM ARE IN MILLIMETERS.

UNLESS OTHERWISE SPECIFIED TOLERANCES NON-ACCUMULATIVE			DRAWN	DATE
TOL. ON	INCHES	MM	J. BARNARD	4/7/98
.XX	± .02	±	CHECKED	
.XXX	± .010	±	ENG.	J. DISLER 4/7/98
ANGULAR		± 1/2°	MFG. ENG.	
MATERIAL			APPROVED	BKK 4/7/98
UNITS	K2WA3C24-30P52R			



WIRING DIAGRAM

CODE IDENT. NO.	SIZE	DWG. NO.	REV
06223	A	WD-351	A
SCALE	CAD. REF.	SHEET	OF
NONE	WD000237	1	1