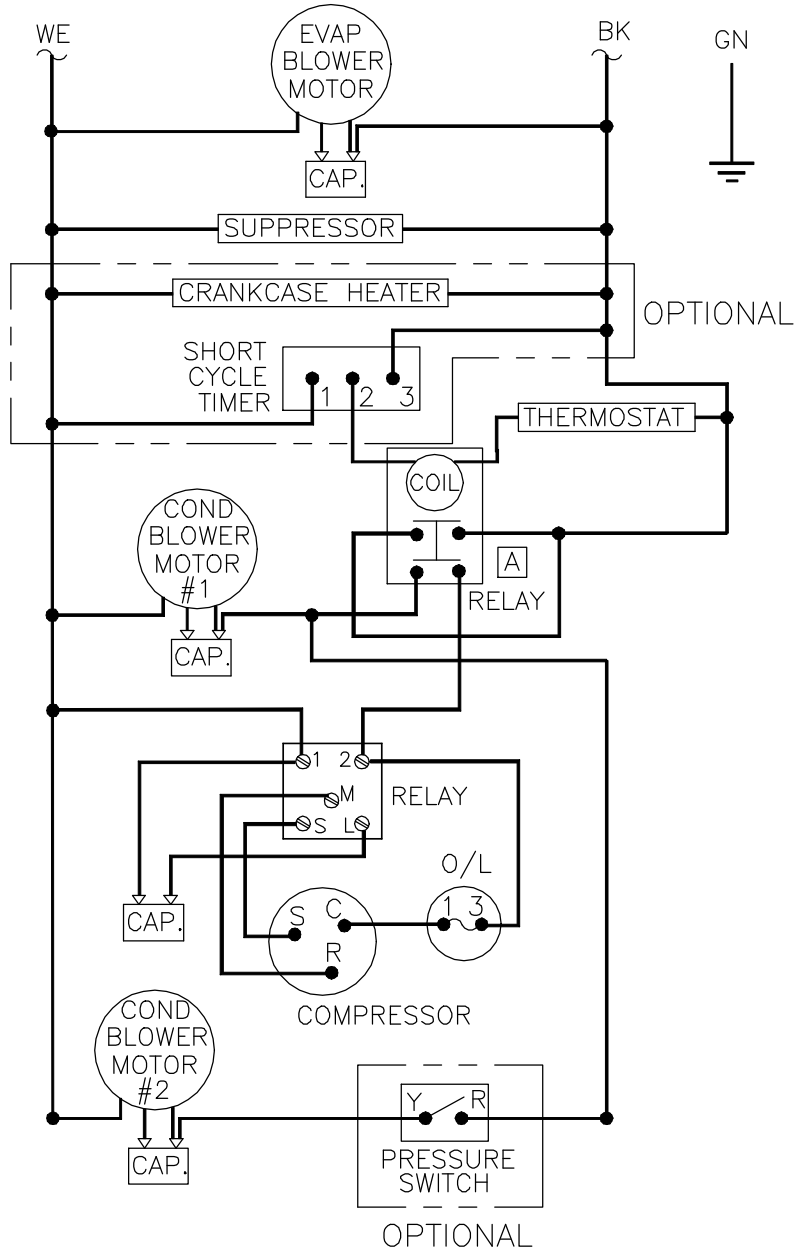


THIS DOCUMENT IS THE PROPERTY OF KOOLTRONIC, INC. AND CONTAINS PROPRIETARY AND CONFIDENTIAL INFORMATION WHICH MUST NOT BE DUPLICATED, USED OR DISCLOSED TO OTHERS, EXCEPT AS EXPRESSLY AUTHORIZED IN WRITING BY KOOLTRONIC, INC.

REVISIONS

SYM	NOTICE	DESCRIPTION	DATE	APPROVED
-	ER 98/88	NEW DRAWING RELEASE	4/28/98	JS



ALL DIMENSIONS ARE IN INCHES,
DIMENSIONS DESIGNATED MM ARE IN MILLIMETERS.

UNLESS OTHERWISE SPECIFIED TOLERANCES NON-ACCUMULATIVE		
TOL. ON	INCHES	MM
.XX	± .02	±
.XXX	± .010	±
ANGULAR		± 1/2°
MATERIAL		
UNITS K2NA4C4-7P59R		

DRAWN JERRY STEDNICK	DATE 4/28/98
CHECKED	
ENG.	
MFG. ENG.	
APPROVED	


KOOLTRONIC, INC.
 HOPEWELL, NJ VENTURA, CA USA

WIRING DIAGRAM
K2NA4C4-7P59R

CODE IDENT. NO. 06223	SIZE A	DWG. NO. WD-369	REV -
SCALE NONE	CAD. REF. WD000255	SHEET 1 OF 1	