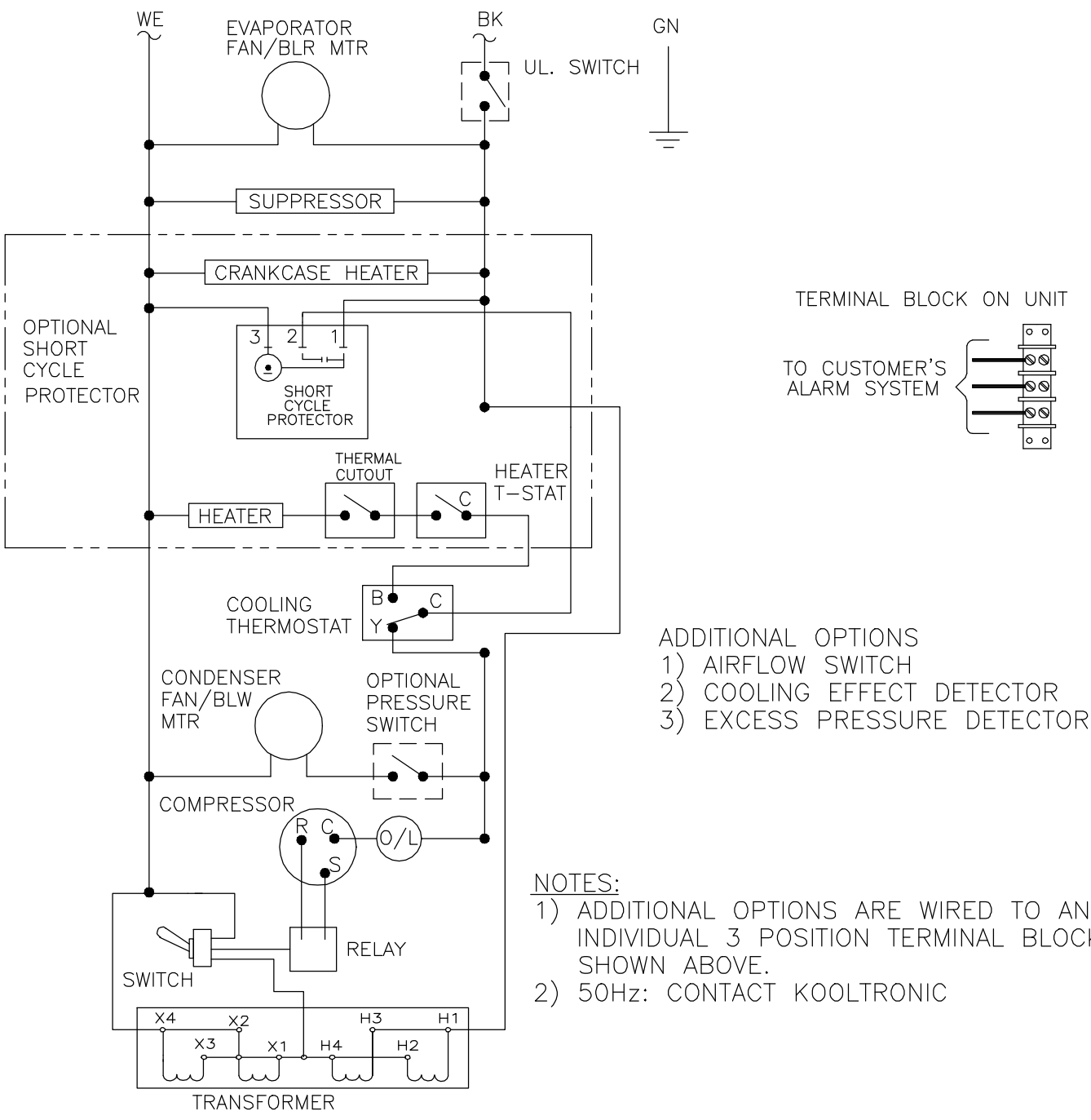



REVISIONS				
SYM	NOTICE	DESCRIPTION	DATE	APPROVED
-	ER 98/101	NEW DRAWING RELEASE	5/18/98	RDM

THIS DOCUMENT IS THE PROPERTY OF KOOLTRONIC, INC. AND CONTAINS PROPRIETARY AND CONFIDENTIAL INFORMATION WHICH MUST NOT BE DUPLICATED, USED OR DISCLOSED OTHER THAN AS EXPRESSLY AUTHORIZED BY KOOLTRONIC, INC.



- NOTES:**
- 1) ADDITIONAL OPTIONS ARE WIRED TO AN INDIVIDUAL 3 POSITION TERMINAL BLOCK SHOWN ABOVE.
 - 2) 50Hz: CONTACT KOOLTRONIC

UNLESS OTHERWISE SPECIFIED TOLERANCES NON-ACCUMULATIVE			DRAWN	DATE
TOL. ON	INCHES	MM	R.D. MOORE	5/18/98
.XX	± .02	±	CHECKED	
.XXX	± .010	±	ENG.	
ANGULAR		± 1/2°	MFG. ENG.	
MATERIAL			APPROVED	
UNITS	KA4C1.0-2.ONP17L56			



HOPEWELL, NJ VENTURA, CA USA

WIRING DIAGRAM

CODE IDENT. NO.	SIZE	DWG. NO.	REV
06223	A	WD-375	-
SCALE 7/8=1	CAD. REF. WD000261	SHEET	1 OF 1