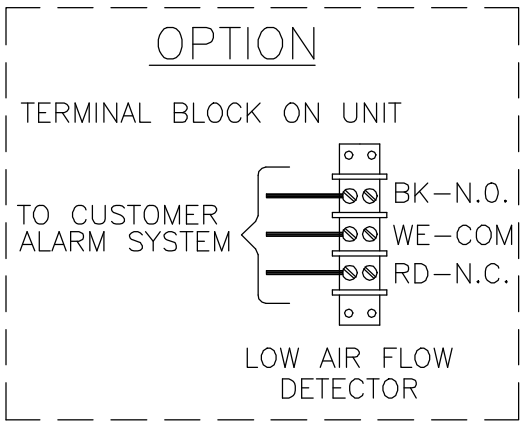
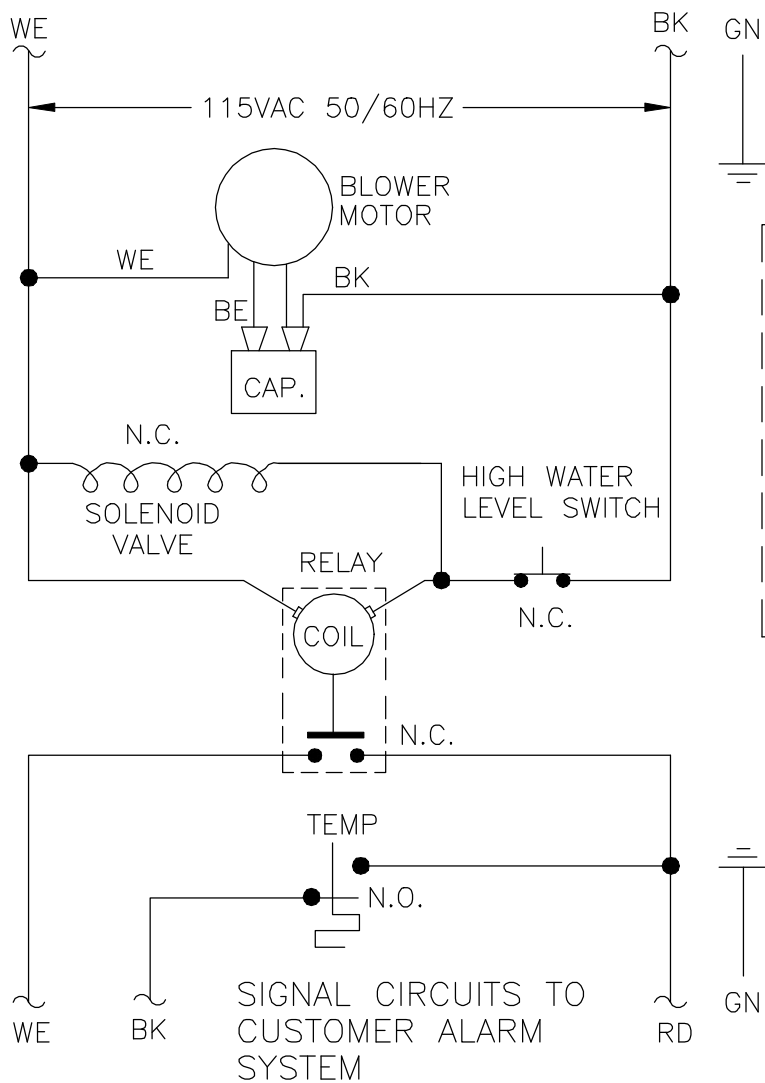
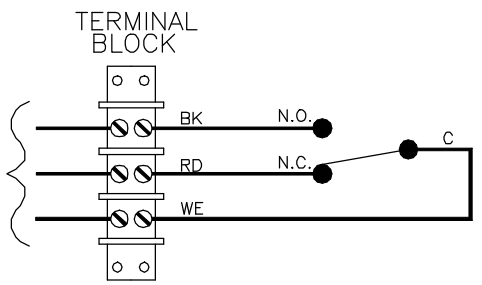


REVISIONS				
SYM	NOTICE	DESCRIPTION	DATE	APPROVED
-	ER 98/103	NEW DRAWING RELEASE.	5/26/98	SDS


THIS DOCUMENT IS THE PROPERTY OF KOOLTRONIC, INC. AND CONTAINS PROPRIETARY AND CONFIDENTIAL INFORMATION WHICH MUST NOT BE DUPLICATED, USED OR DISCLOSED OTHER THAN AS EXPRESSLY AUTHORIZED BY KOOLTRONIC, INC.



WE HIGH WATER LEVEL SIGNAL
 BK EXCESS HEAT SIGNAL
 RD COMMON



ALL DIMENSIONS ARE IN INCHES, DIMENSIONS DESIGNATED MM ARE IN MILLIMETERS.				
UNLESS OTHERWISE SPECIFIED TOLERANCES NON-ACCUMULATIVE			DRAWN	DATE
			STEVE S.	5/26/98
TOL. ON	INCHES	MM	CHECKED	
.XX	± .02	±	ENG.	
.XXX	± .010	±	MFG. ENG.	
ANGULAR		± 1/2°		
MATERIAL				
UNITS			APPROVED	
KPHE40AM				



HOPEWELL, NJ VENTURA, CA USA

WIRING DIAGRAM

CODE IDENT. NO.	SIZE	DWG. NO.	REV
06223	A	WD-377	-
SCALE	CAD. REF.	SHEET	
1=1	WD000263	1 OF 1	