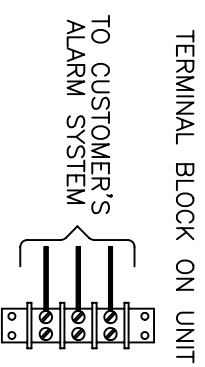
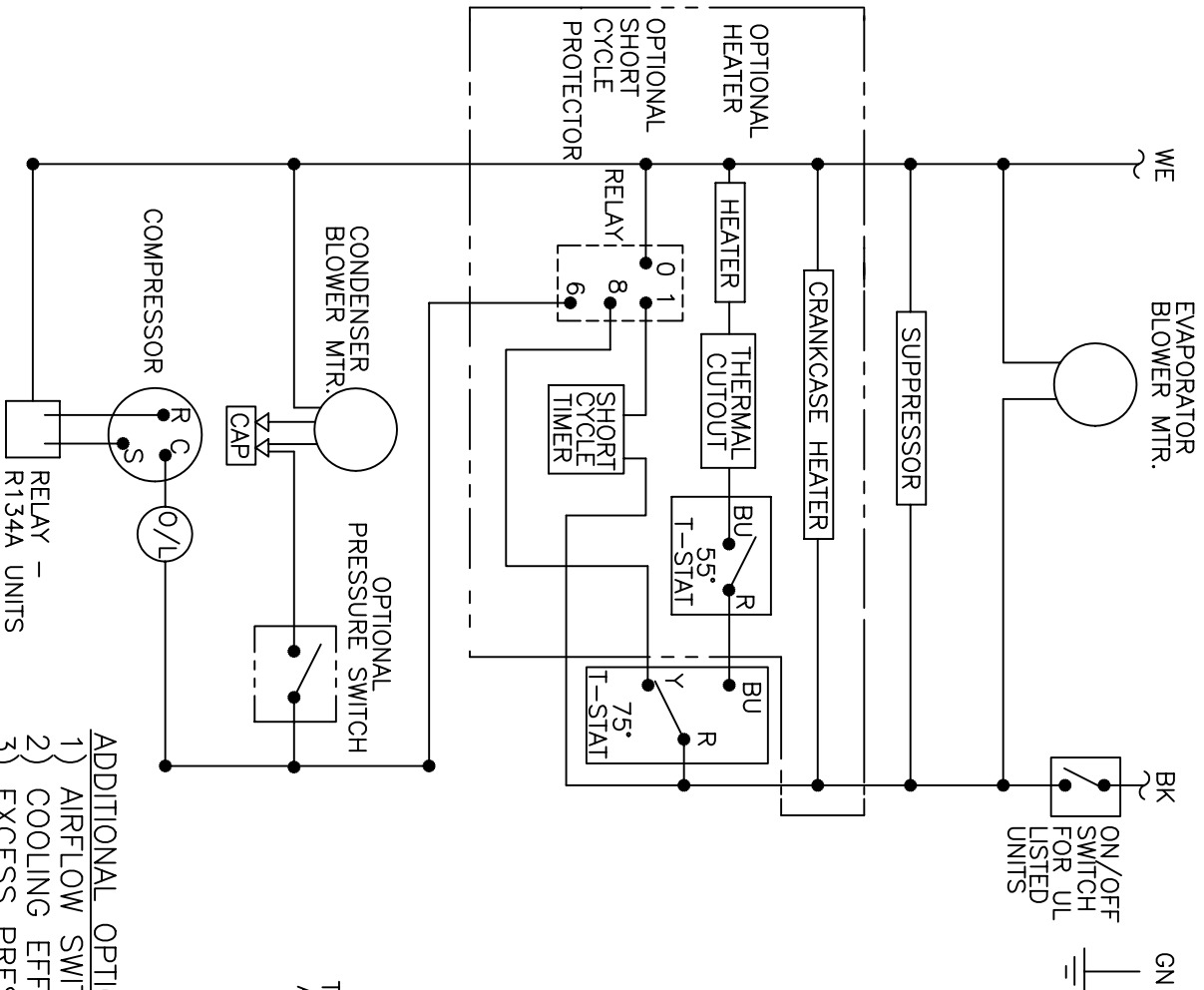


		REVISIONS		
SYM	NOTICE	DESCRIPTION	DATE	APPROVED
-	EC 98/249	NEW DRAWING RELEASE	12/4/98	SDS

THIS DOCUMENT IS THE PROPERTY OF KOOLTRONIC, INC. AND CONTAINS PROPRIETARY AND CONFIDENTIAL INFORMATION WHICH MUST NOT BE DUPLICATED, USED OR DISCLOSED TO OTHERS, EXCEPT AS EXPRESSLY AUTHORIZED IN WRITING BY KOOLTRONIC, INC.



- ADDITIONAL OPTIONS
- 1) AIRFLOW SWITCH
  - 2) COOLING EFFECT DETECTOR
  - 3) EXCESS PRESSURE DETECTOR

NOTE:

- 1) ADDITIONAL OPTIONS ARE WIRED TO AN INDIVIDUAL 3 POSITION TERMINAL BLOCK AS SHOWN ABOVE.

ALL DIMENSIONS ARE IN INCHES, DIMENSIONS DESIGNATED MM ARE IN MILLIMETERS.

UNLESS OTHERWISE SPECIFIED TOLERANCES NON-ACCUMULATIVE		DRAWN	DATE
TOL. ON	INCHES	R.D. MOORE	3/8/00
.XX	± .02	CHECKED	
.XXX	± .010	ENG.	
ANGULAR	± 1/2°	MFG. ENG.	
MATERIAL			
UNITS		APPROVED	



HOPEWELL, NJ VENTURA, CA USA

## WIRING DIAGRAM

CODE IDENT. NO.	SIZE	DWG. NO.	REV
06223	A	WD-442	-
SCALE 7/8=1	CAD. REF.	WD-564	SHEET 1 OF 1