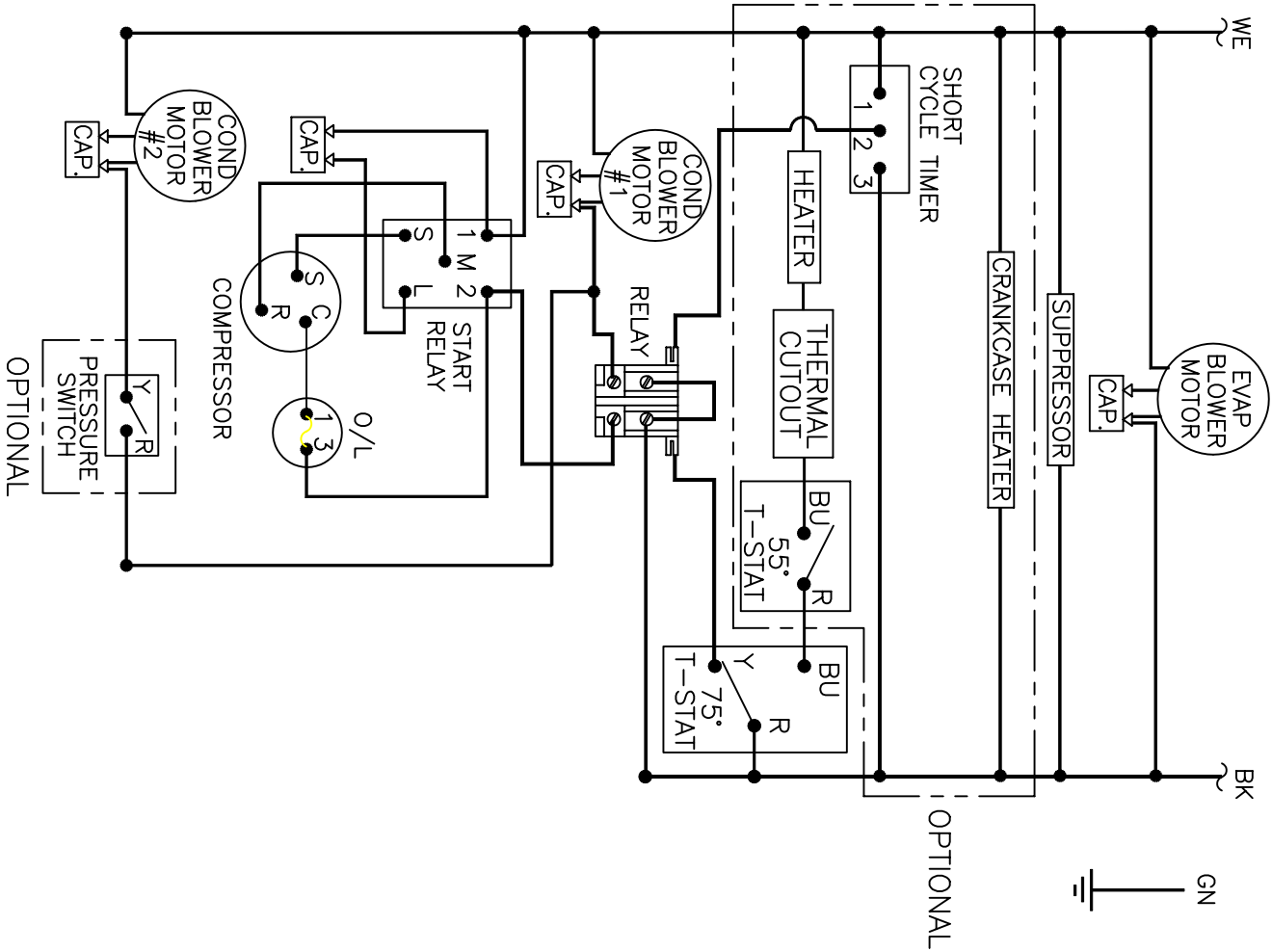


REVISIONS		DESCRIPTION	DATE	APPROVED
SYM	NOTICE			
-	ER 98/267	NEW DRAWING RELEASE	2/4/99	SDS

THIS DOCUMENT IS THE PROPERTY OF KOOLTRONIC, INC. AND CONTAINS PROPRIETARY AND CONFIDENTIAL INFORMATION WHICH MUST NOT BE DUPLICATED, USED OR DISCLOSED TO OTHERS, EXCEPT AS EXPRESSLY AUTHORIZED IN WRITING BY KOOLTRONIC, INC.



ALL DIMENSIONS ARE IN INCHES, DIMENSIONS DESIGNATED MM ARE IN MILLIMETERS.

UNLESS OTHERWISE SPECIFIED TOLERANCES NON-ACCUMULATIVE	DRAWN	DATE
TOL. ON INCHES	STEVE S.	2/4/99

.XX	± .02	±	CHECKED	ENG.
.XXX	± .010	±		

ANGULAR	± 1/2°			MFG. ENG.
---------	--------	--	--	-----------

MATERIAL				
UNITS	K2NA4C6P38/5FN	APPROVED		



### WIRING DIAGRAM

CODE IDENT. NO.	SIZE	DWG. NO.	REV
06223	A	WD-466	-
SCALE 1=1	CAD. REF. WD0000350	SHEET	1 OF 1