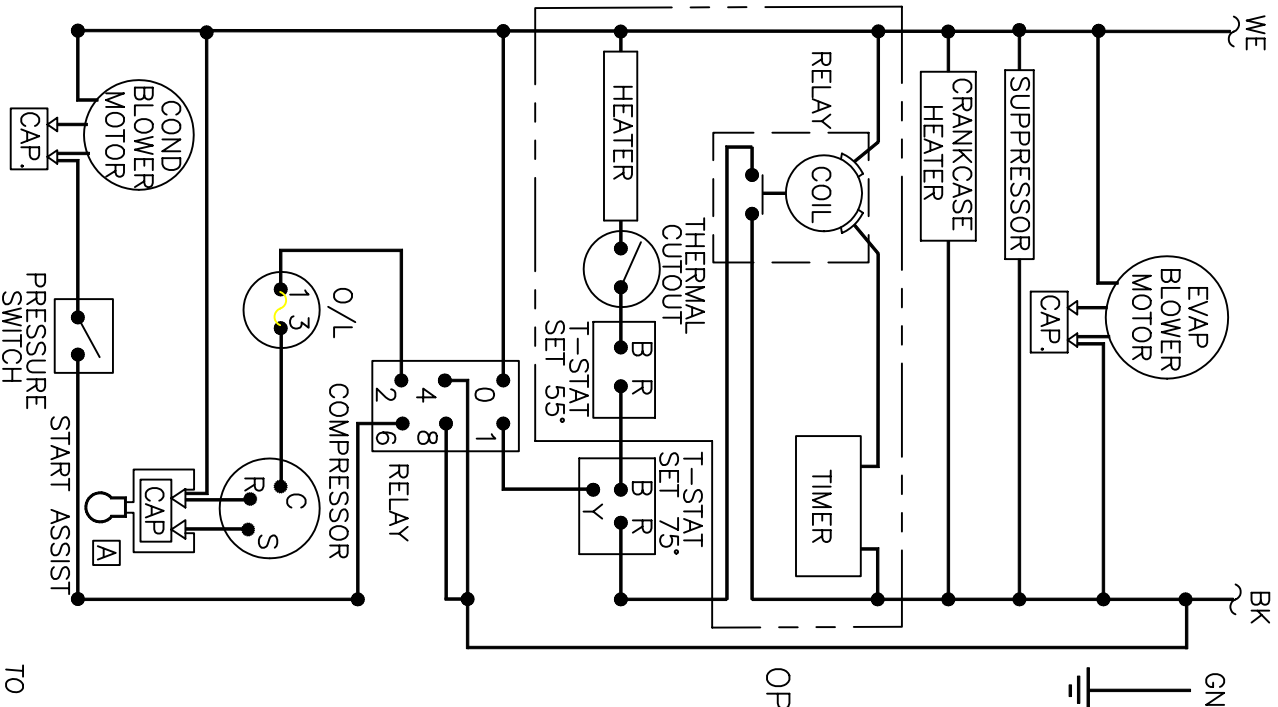


REVISIONS

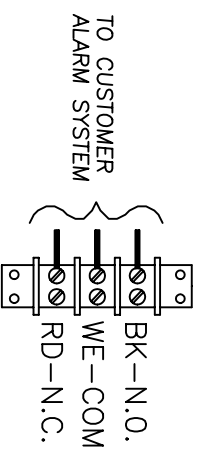
SYM	NOTICE	DESCRIPTION	DATE	APPROVED
—	ER 99/115	NEW DRAWING RELEASE	7/21/99	SDS
A	EC 99/146	"A" ADDED START ASSIST 0382-11, REMOVED KWA3C8-12P52R	8/20/99	RDM

THIS DOCUMENT IS THE PROPERTY OF KOOLTRONIC, INC. AND CONTAINS PROPRIETARY AND CONFIDENTIAL INFORMATION WHICH MUST NOT BE DUPLICATED, USED OR DISCLOSED TO OTHERS, EXCEPT AS EXPRESSLY AUTHORIZED IN WRITING BY KOOLTRONIC, INC.

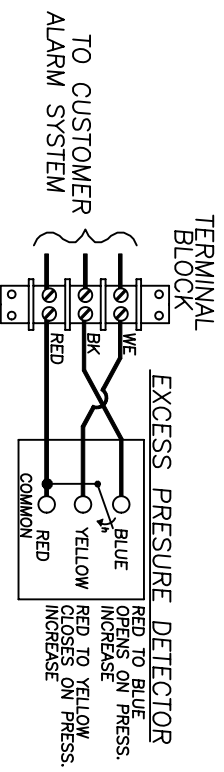
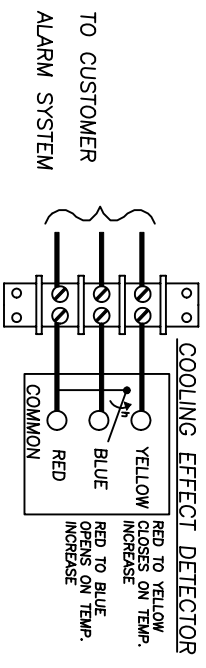


OPTIONAL

LOW AIR FLOW DETECTOR



TERMINAL BLOCK



ALL DIMENSIONS ARE IN INCHES, DIMENSIONS DESIGNATED MM ARE IN MILLIMETERS.

UNLESS OTHERWISE SPECIFIED TOLERANCES NON-ACCUMULATIVE

TOL. ON	INCHES	MM	DRAWN	DATE
.XX	± .02	±	STEVE S.	7/21/99
.XXX	± .010	±	ENG.	
ANGULAR		± 1/2°	MFG. ENG.	

MATERIAL	CHECKED	APPROVED
UNITS K2WA4C8-12P52R		



HOPEWELL, NJ VENTURA, CA USA

WIRING DIAGRAM

CODE IDENT. NO. 06223	SIZE A	DWG. NO. WD-518	REV A
SCALE 1=1	CAD. REF. WD-518	SHEET 1 OF 1	