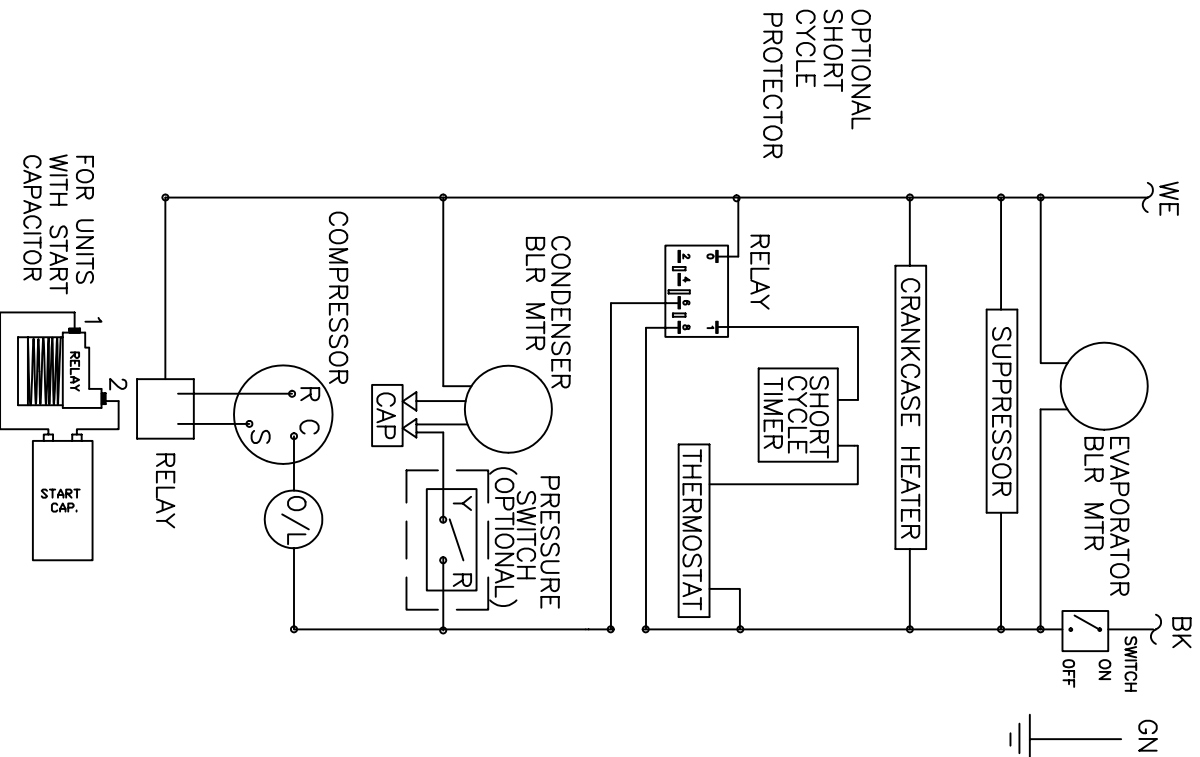


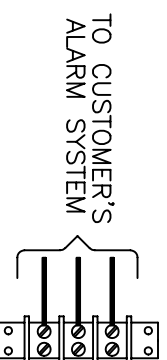
THIS DOCUMENT IS THE PROPERTY OF KOOLTRONIC, INC. AND CONTAINS PROPRIETARY AND CONFIDENTIAL INFORMATION WHICH MUST NOT BE DUPLICATED, USED OR DISCLOSED TO OTHERS, EXCEPT AS EXPRESSLY AUTHORIZED IN WRITING BY KOOLTRONIC, INC.

REVISIONS		DESCRIPTION	DATE	APPROVED
SYM	NOTICE			
-	EC 00/101	NEW DRAWING RELEASE	5/8/00	RDM



- ADDITIONAL OPTIONS
- 1) AIRFLOW SWITCH
 - 2) COOLING EFFECT DETECTOR
 - 3) EXCESS PRESSURE DETECTOR

TERMINAL BLOCK ON UNIT



- NOTES:
- 1) ADDITIONAL OPTIONS ARE WIRED TO AN INDIVIDUAL 3 POSITION TERMINAL BLOCK SHOWN ABOVE.
 - 2) 50HZ: CONTACT KOOLTRONIC

ALL DIMENSIONS ARE IN INCHES, DIMENSIONS DESIGNATED MM ARE IN MILLIMETERS.

UNLESS OTHERWISE SPECIFIED TOLERANCES NON-ACCUMULATIVE		DRAWN	DATE
TOL. ON	INCHES	R.D. MOORE	5/8/00
.XX	± .02	CHECKED	
.XXX	± .010	ENG.	
ANGULAR	± 1/2°	MFG. ENG.	
MATERIAL		APPROVED	
UNITS			

KOOLTRONIC, INC.
HOPEWELL, NJ VENTURA, CA USA

WIRING DIAGRAM

CODE IDENT. NO.	SIZE	DWG. NO.	REV
06223	A	WD-589	-
SCALE 7/8=1	CAD. REF.	WD-589	SHEET 1 OF 1