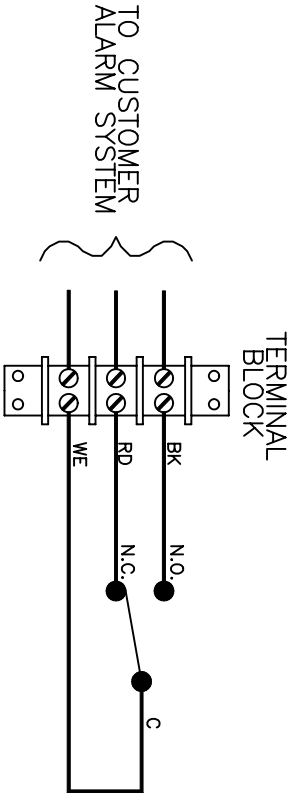
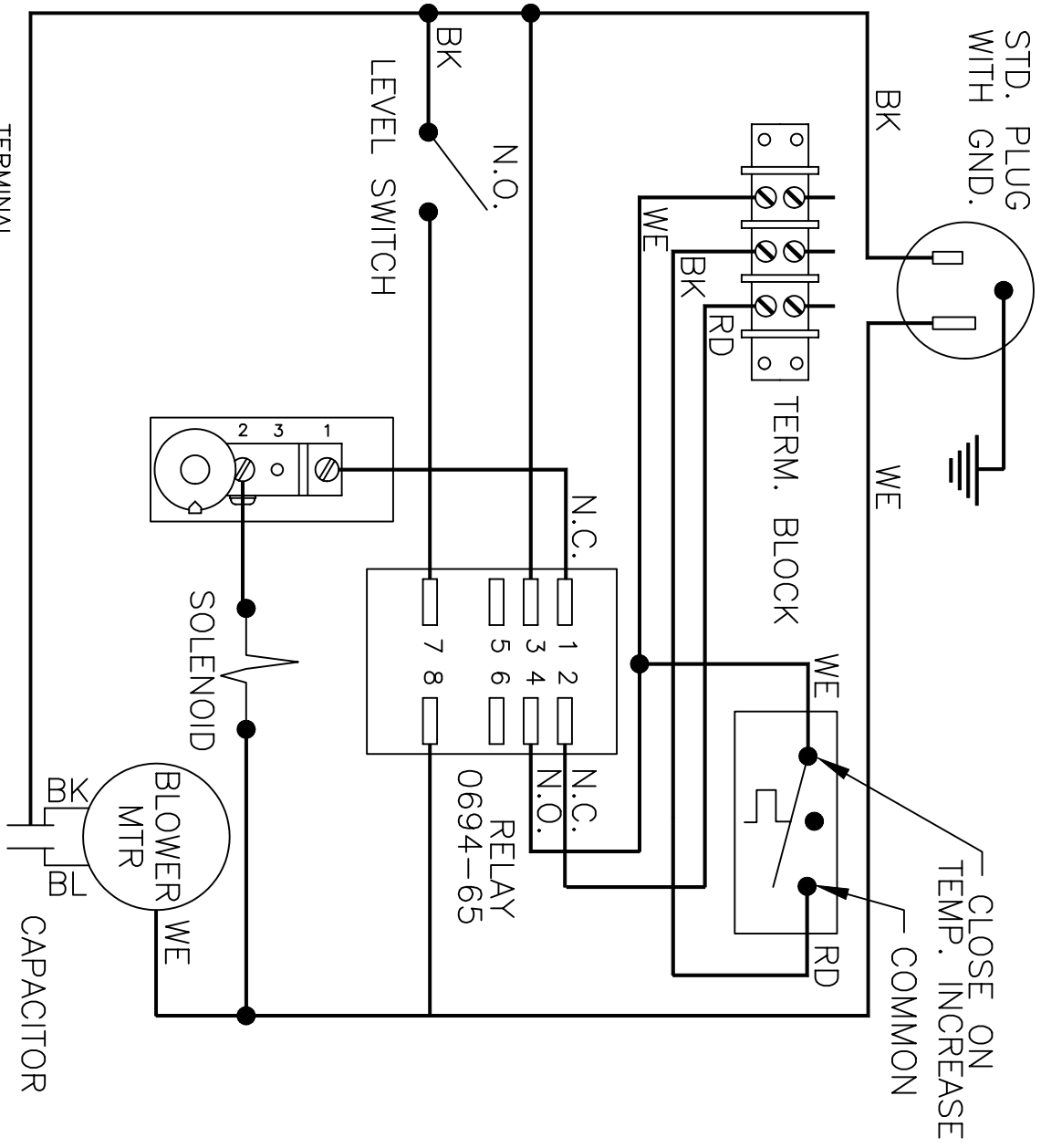


REVISIONS		DESCRIPTION	DATE	APPROVED
SYM	NOTICE			
-	EC 00/124	NEW DRAWING RELEASE	5/30/00	SDS

THIS DOCUMENT IS THE PROPERTY OF KOOLTRONIC, INC. AND CONTAINS PROPRIETARY AND CONFIDENTIAL INFORMATION WHICH MUST NOT BE DUPLICATED, USED OR DISCLOSED TO OTHERS, EXCEPT AS EXPRESSLY AUTHORIZED IN WRITING BY KOOLTRONIC, INC.



ALL DIMENSIONS ARE IN INCHES, DIMENSIONS DESIGNATED MM ARE IN MILLIMETERS.

UNLESS OTHERWISE SPECIFIED TOLERANCES NON-ACCUMULATIVE		DRAWN	DATE
TOL. ON	INCHES	STEVE S	6/30/00
.XX	± .02	CHECKED	
.XXX	± .010	ENG.	
ANGULAR	± 1/2°	MFG. ENG.	

MATERIAL	UNITS	APPROVED
KPHE39CDM	KPHE39CDM	

KOOLTRONIC, INC.
 HOPEWELL, NJ VENTURA, CA USA

WIRING DIAGRAM
 KPHE39CDM

CODE IDENT. NO.	SIZE	DWG. NO.	REV
06223	A	WD-594	-

SCALE	CAD. REF.	WD-594	SHEET	1 OF 1
1.000=1				