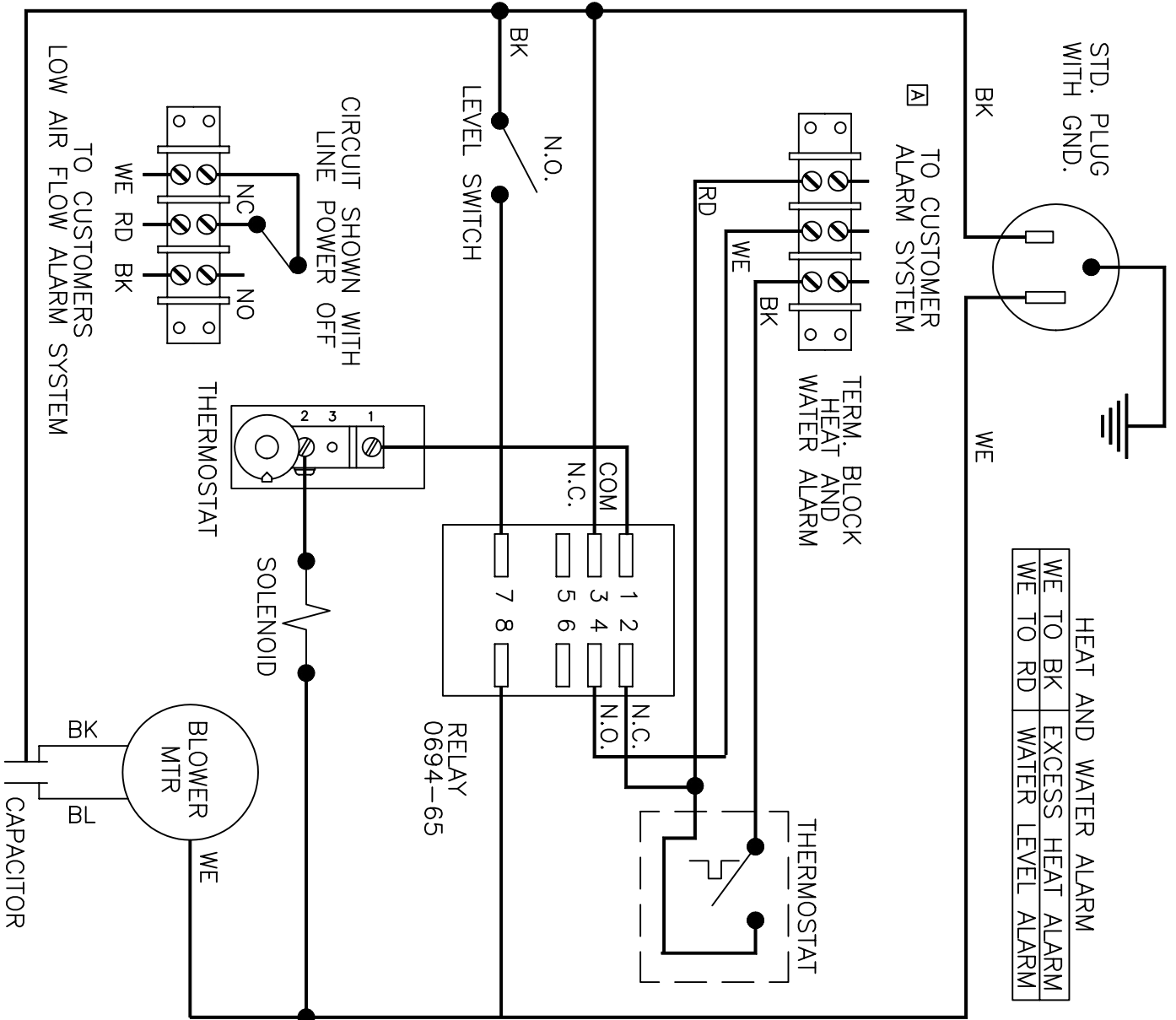



THIS DOCUMENT IS THE PROPERTY OF KOOLTRONIC, INC. AND CONTAINS PROPRIETARY AND CONFIDENTIAL INFORMATION WHICH MUST NOT BE DUPLICATED, USED OR DISCLOSED TO OTHERS, EXCEPT AS EXPRESSLY AUTHORIZED IN WRITING BY KOOLTRONIC, INC.

REVISIONS		DESCRIPTION	DATE	APPROVED
SYM	NOTICE			
-	FC 00/124	NEW DRAWING RELEASE	5/30/00	SDS



ALL DIMENSIONS ARE IN INCHES, DIMENSIONS DESIGNATED MM ARE IN MILLIMETERS.

UNLESS OTHERWISE SPECIFIED TOLERANCES NON-ACCUMULATIVE		DRAWN	STEVE S.	DATE	5/30/00
TOL. ON	INCHES	MM	CHECKED		
.XX	± .02	±	ENG.		
.XXX	± .010	±	MFG. ENG.		
ANGULAR		± 1/2°			
MATERIAL					
UNITS	KPHE39CDMW		APPROVED		

  
**KOOLTRONIC, INC.**  
 HOPEWELL, NJ VENTURA, CA USA

**WIRING DIAGRAM**  
**HEAT EXCHANGER**

CODE IDENT. NO.	SIZE	DWG. NO.	REV
06223	A	WD-595	-
SCALE 1.000=1	CAD. REF.	WD-595	SHEET 1 OF 1