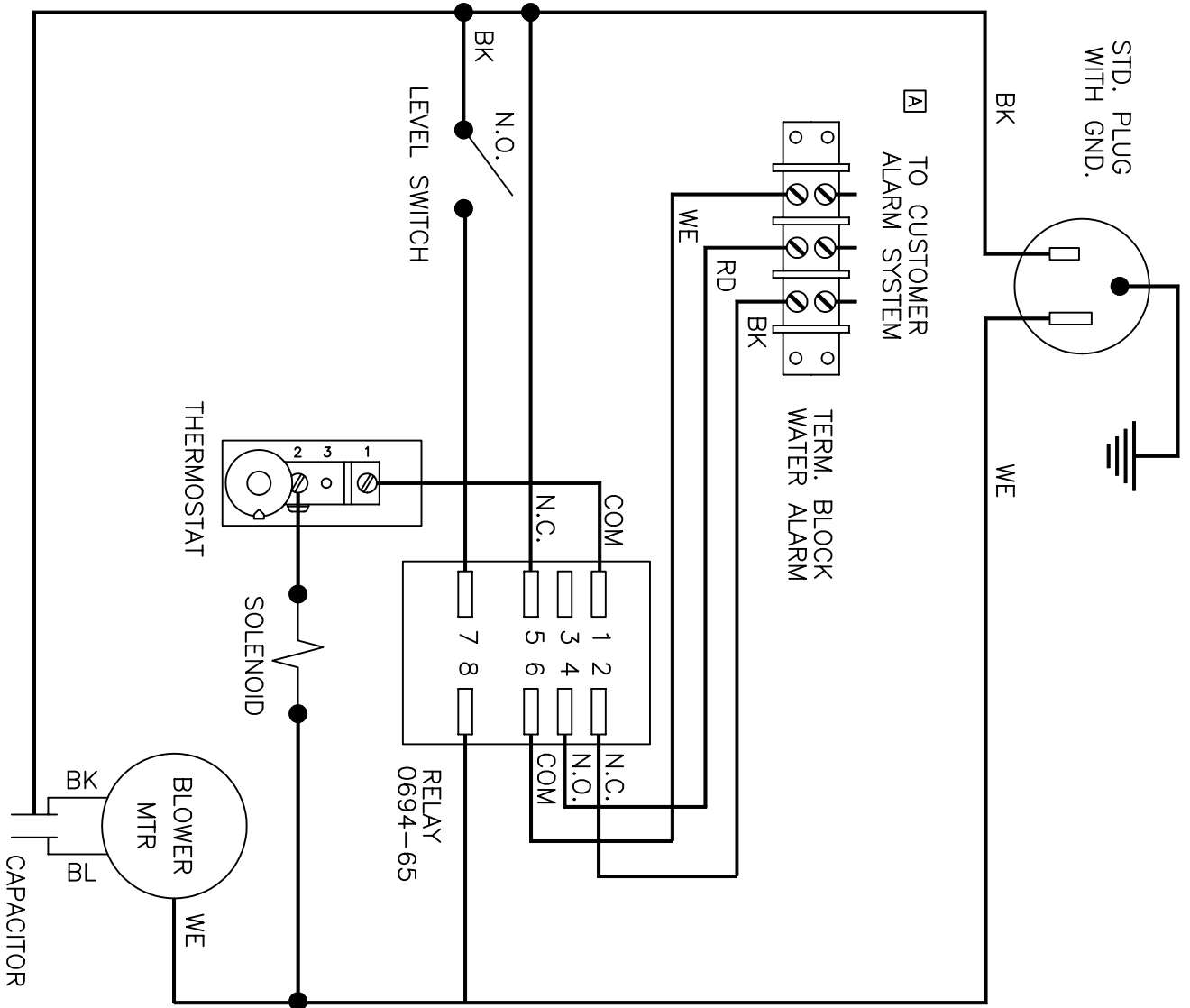


REVISIONS		DESCRIPTION	DATE	APPROVED
SYM	NOTICE			
-	EC 00/124	NEW DRAWING RELEASE	5/30/00	SDS

THIS DOCUMENT IS THE PROPERTY OF KOOLTRONIC, INC. AND CONTAINS PROPRIETARY AND CONFIDENTIAL INFORMATION WHICH MUST NOT BE DUPLICATED, USED OR DISCLOSED TO OTHERS, EXCEPT AS EXPRESSLY AUTHORIZED IN WRITING BY KOOLTRONIC, INC.



ALL DIMENSIONS ARE IN INCHES, DIMENSIONS DESIGNATED MM ARE IN MILLIMETERS.

UNLESS OTHERWISE SPECIFIED TOLERANCES NON-ACCUMULATIVE		DRAWN	DATE
TOL. ON	INCHES	STEVE S	5/30/00
	MM	CHECKED	
.XX	± .02	ENG.	
.XXX	± .010	MFG. ENG.	
ANGULAR	± 1/2°		
MATERIAL			
UNITS	KPHE39CW	APPROVED	

KOOLTRONIC, INC.
 HOPEWELL, NJ VENTURA, CA USA

WIRING DIAGRAM
 HEAT EXCHANGER

CODE IDENT. NO.	SIZE	DWG. NO.	REV
06223	A	WD-597	-
SCALE 1.000=1	CAD. REF.	WD-597	SHEET 1 OF 1