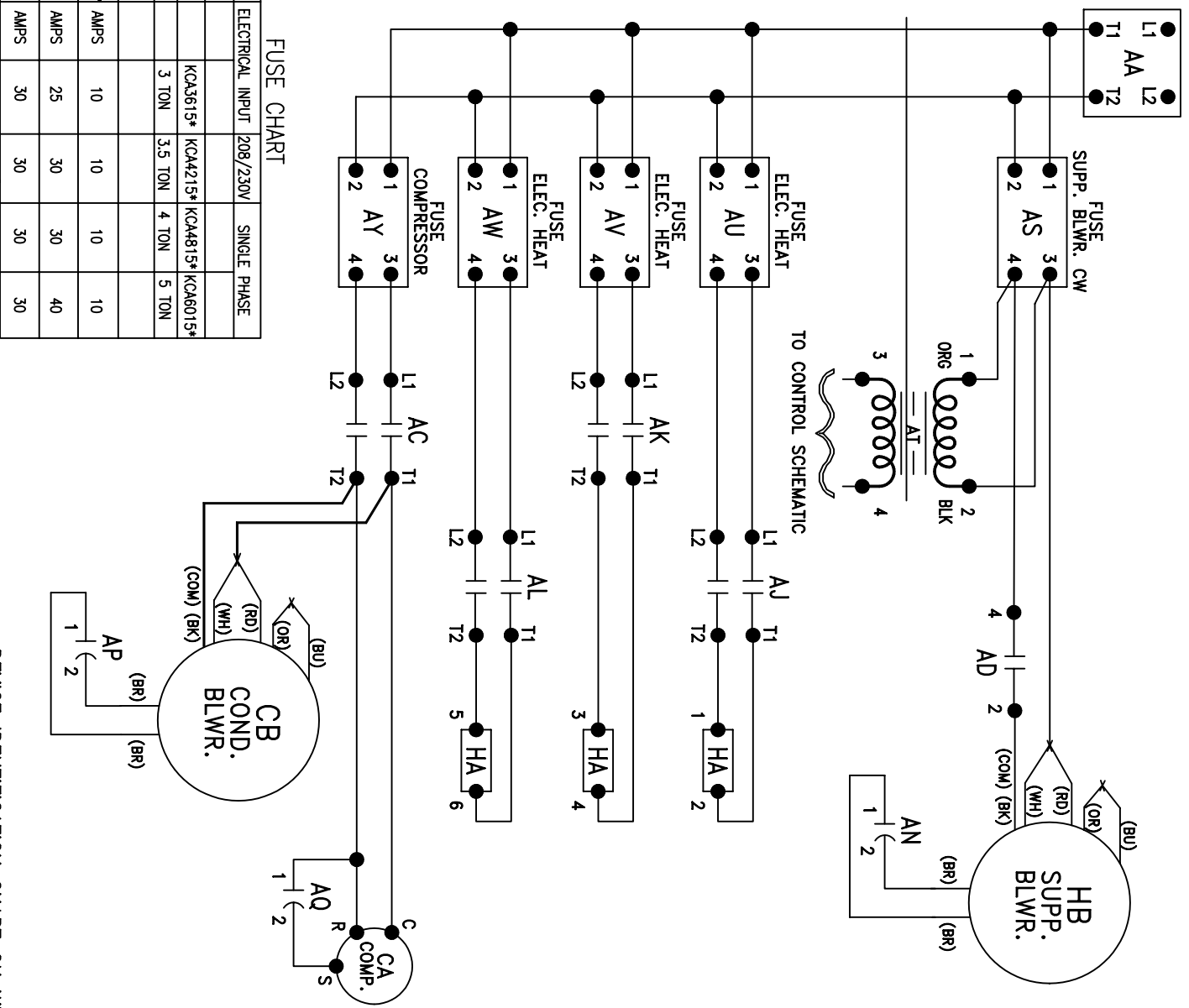


REVISIONS		DESCRIPTION	DATE	APPROVED
SYM	NOTICE			
-	ER 00/85	NEW DRAWING RELEASE	12/13/00	RL

THIS DOCUMENT IS THE PROPERTY OF KOOLTRONIC, INC. AND CONTAINS PROPRIETARY AND CONFIDENTIAL INFORMATION WHICH MUST NOT BE DUPLICATED, USED OR DISCLOSED TO OTHERS, EXCEPT AS EXPRESSLY AUTHORIZED IN WRITING BY KOOLTRONIC, INC.



FUSE CHART

	ELECTRICAL INPUT	208/230V	SINGLE PHASE
MODEL	KCA3615*	KCA4215*	KCA4815* KCA6015*
NOM. COOLING CAP	3 TON	3.5 TON	4 TON 5 TON
INDOOR BLOWER FUSE, RKS DELAY	AMPS 10	10	10 10
COMPRESSOR FUSE, CLASS RKS DELAY	AMPS 25	30	30 40
ELECTRIC HEATER, 15 KWH, FUSE CLASS H	AMPS 30	30	30 30

DEVICE IDENTIFICATION CHART ON WD-603



POWER WIRING DIAGRAM
MODEL KCA6015E WALL MOUNTED UNIT

ALL DIMENSIONS ARE IN INCHES, DIMENSIONS DESIGNATED MM ARE IN MILLIMETERS.

UNLESS OTHERWISE SPECIFIED TOLERANCES NON-ACCUMULATIVE	DRAWN	R. LIEDTKA	DATE
TOL. ON INCHES	MM	CHECKED	
.XX	± .02	ENG.	
.XXX	± .010	MFG. ENG.	
ANGULAR	± 1/2°		
MATERIAL			
UNITS	KCA6015E	APPROVED	

CODE IDENT. NO.	SIZE	DWG. NO.	REV
06223	A	WD-604	-
SCALE	CAD. REF.	WD-604	SHEET 1 OF 1