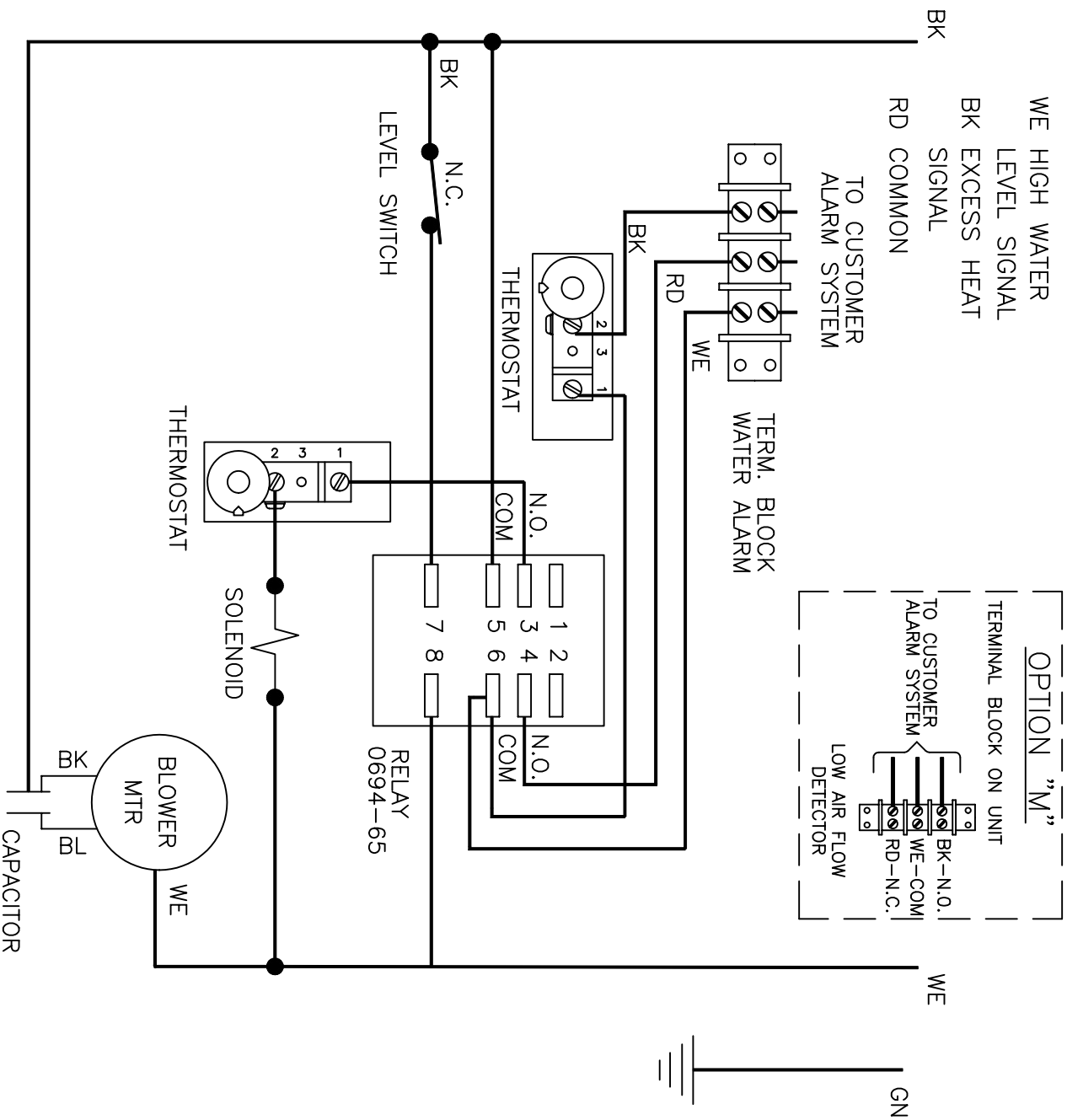


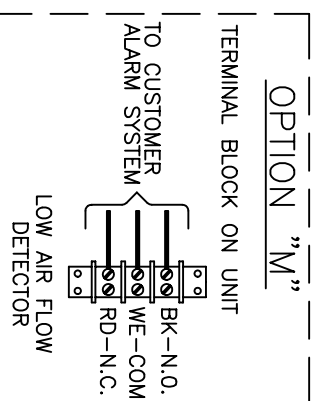
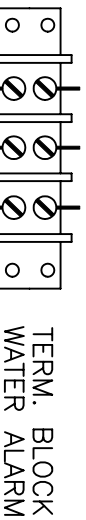
THIS DOCUMENT IS THE PROPERTY OF KOOLTRONIC, INC. AND CONTAINS PROPRIETARY AND CONFIDENTIAL INFORMATION WHICH MUST NOT BE DUPLICATED, USED OR DISCLOSED TO OTHERS, EXCEPT AS EXPRESSLY AUTHORIZED IN WRITING BY KOOLTRONIC, INC.

SYM	NOTICE	DESCRIPTION	DATE	APPROVED
-	ER 00/113	NEW DRAWING RELEASE	9/8/00	JS

REVISIONS



WE HIGH WATER
LEVEL SIGNAL
BK EXCESS HEAT
SIGNAL
RD COMMON
TO CUSTOMER
ALARM SYSTEM



ALL DIMENSIONS ARE IN INCHES,
DIMENSIONS DESIGNATED MM ARE IN MILLIMETERS.

UNLESS OTHERWISE SPECIFIED TOLERANCES NON-ACCUMULATIVE		DRAWN JERRY STEDNICK	DATE 9/8/00
TOL. ON	INCHES	CHECKED	
.XX	± .02	ENG.	
.XXX	± .010	MFG. ENG.	
ANGULAR	± 1/2°		
MATERIAL			
UNITS		APPROVED	



HOPEWELL, NJ VENTURA, CA USA

WIRING DIAGRAM
HEAT EXCHANGER

CODE IDENT. NO. 06223	SIZE A	DWG. NO. WD-617	REV -
SCALE 1.000=1	CAD. REF. WD-617	SHEET 1 OF 1	