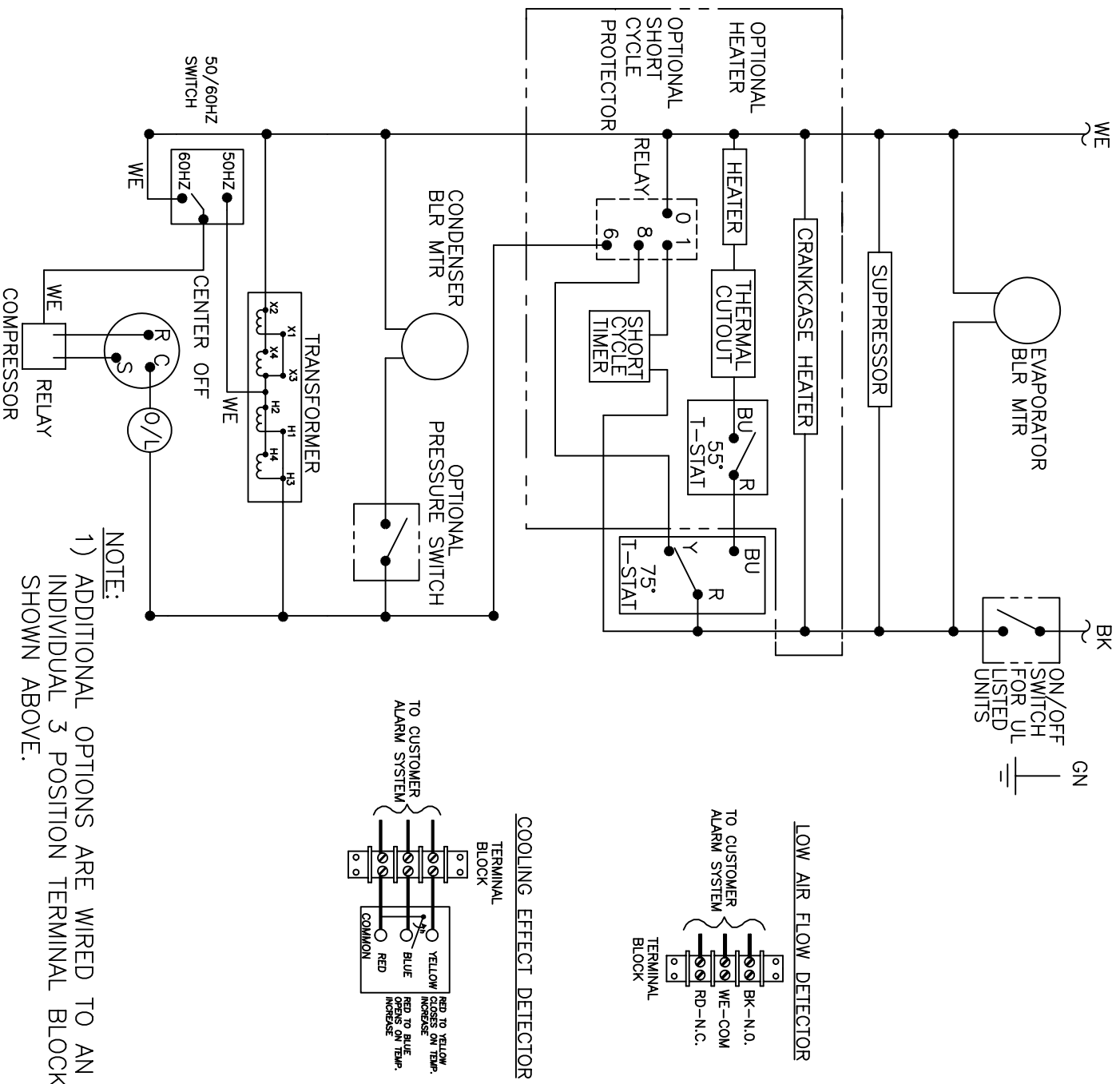


REVISIONS		DESCRIPTION	DATE	APPROVED
SYM	NOTICE			
-	ER 00/124	NEW DRAWING RELEASE	9/25/00	JS

THIS DOCUMENT IS THE PROPERTY OF KOOLTRONIC, INC. AND CONTAINS PROPRIETARY AND CONFIDENTIAL INFORMATION WHICH MUST NOT BE DUPLICATED, USED OR DISCLOSED TO OTHERS, EXCEPT AS EXPRESSLY AUTHORIZED IN WRITING BY KOOLTRONIC, INC.



ALL DIMENSIONS ARE IN INCHES, DIMENSIONS DESIGNATED MM ARE IN MILLIMETERS.

UNLESS OTHERWISE SPECIFIED TOLERANCES NON-ACCUMULATIVE		DRAWN	DATE
TOL. ON INCHES	MM	JERRY STEDNICK	9/25/00
.XX	±	CHECKED	
.XXX	±	ENG.	
ANGULAR	± 1/2°	MFG. ENG.	

MATERIAL	APPROVED
UNITS KA4C4P24L56M	

KOOLTRONIC, INC.
HOPEWELL, NJ VENTURA, CA USA

WIRING DIAGRAM

CODE IDENT. NO.	SIZE	DWG. NO.	REV
06223	A	WD-625	-

SCALE 7/8=1 CAD. REF. WD-625 SHEET 1 OF 1