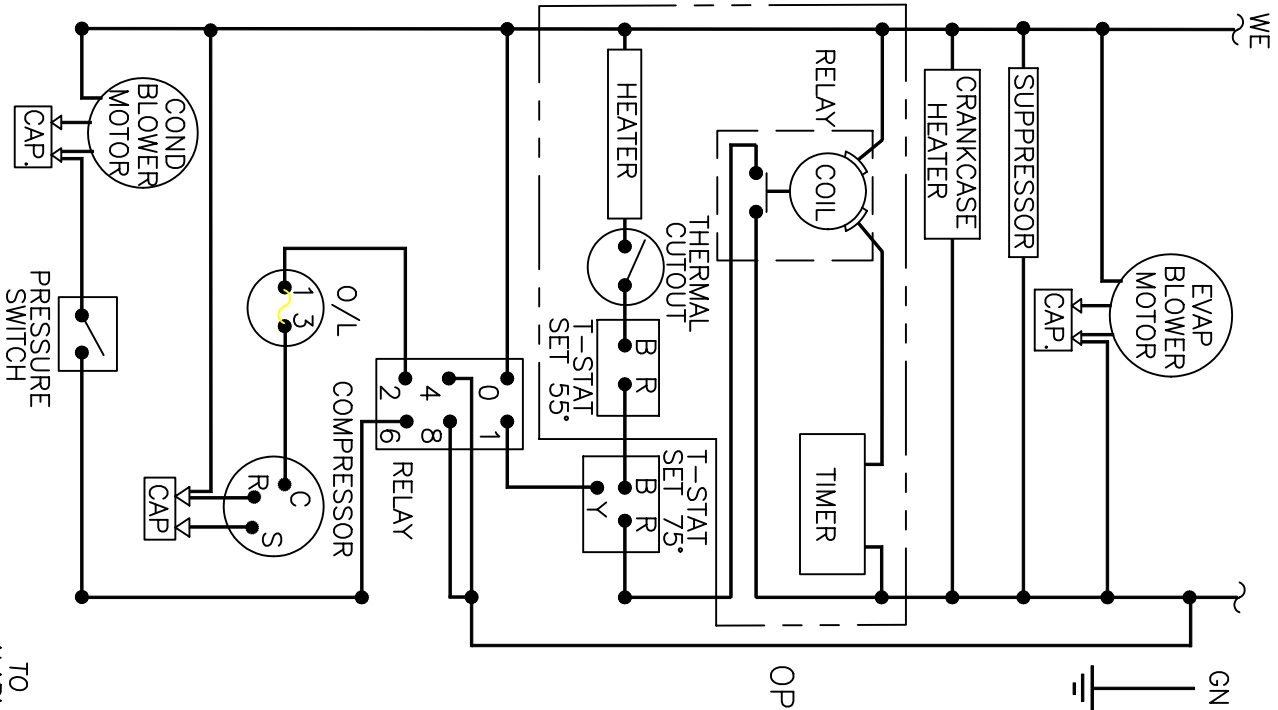


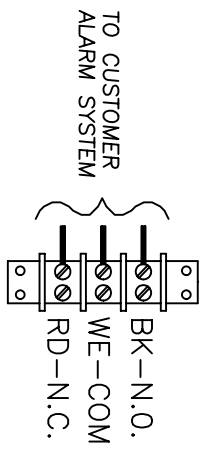
| REVISIONS |           | DESCRIPTION         | DATE    | APPROVED |
|-----------|-----------|---------------------|---------|----------|
| SYM       | NOTICE    |                     |         |          |
| —         | ER 01/020 | NEW DRAWING RELEASE | 3/16/01 | RDM      |

THIS DOCUMENT IS THE PROPERTY OF KOOLTRONIC, INC. AND CONTAINS PROPRIETARY AND CONFIDENTIAL INFORMATION WHICH MUST NOT BE DUPLICATED, USED OR DISCLOSED TO OTHERS, EXCEPT AS EXPRESSLY AUTHORIZED IN WRITING BY KOOLTRONIC, INC.



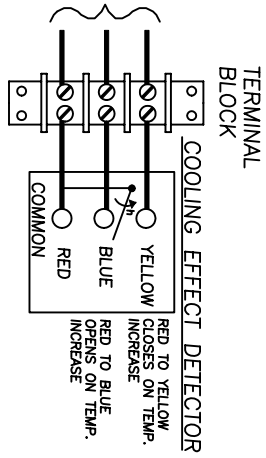
OPTIONAL

LOW AIR FLOW DETECTOR



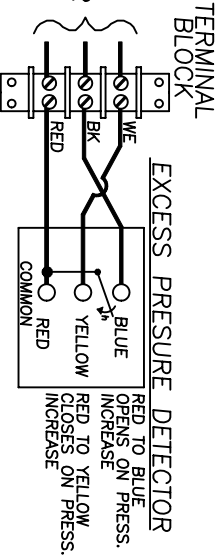
TERMINAL BLOCK

TO CUSTOMER ALARM SYSTEM



COOLING EFFECT DETECTOR

TO CUSTOMER ALARM SYSTEM



EXCESS PRESSURE DETECTOR

ALL DIMENSIONS ARE IN INCHES, DIMENSIONS DESIGNATED MM ARE IN MILLIMETERS.

|  |                  |              |
|--|------------------|--------------|
| UNLESS OTHERWISE SPECIFIED TOLERANCES NON-ACCUMULATIVE | DRAWN R.D. MOORE | DATE 3/16/01 |
|--|------------------|--------------|

|         |        |        |           |  |
|---------|--------|--------|-----------|--|
| TOL. ON | INCHES | MM     | CHECKED   |  |
| .XX     | ± .02  | ±      | ENG.      |  |
| .XXX    | ± .010 | ±      | MFG. ENG. |  |
| ANGULAR |        | ± 1/2° |           |  |

|          |             |          |  |  |
|----------|-------------|----------|--|--|
| MATERIAL |             |          |  |  |
| UNITS    | KWA3C8P52RB | APPROVED |  |  |



HOPEWELL, NJ VENTURA, CA USA

WIRING DIAGRAM

|                 |           |          |              |
|-----------------|-----------|----------|--------------|
| CODE IDENT. NO. | SIZE      | DWG. NO. | REV          |
| 06223           | A         | WD-658   | —            |
| SCALE 1=1       | CAD. REF. | WD-658   | SHEET 1 OF 1 |