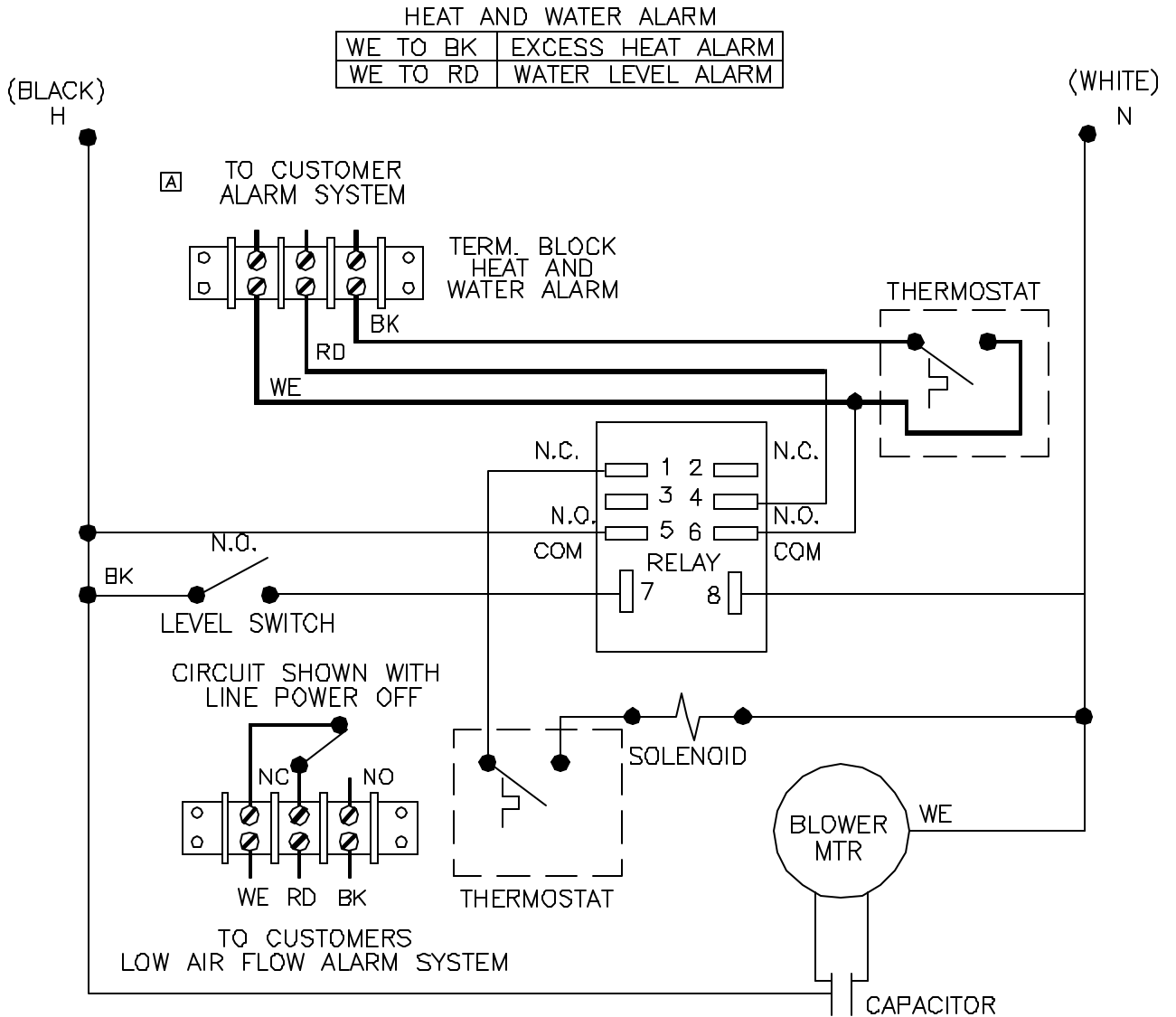


THIS DOCUMENT IS THE PROPERTY OF KOOLTRONIC, INC. AND CONTAINS PROPRIETARY AND CONFIDENTIAL INFORMATION WHICH MUST NOT BE DUPLICATED, USED OR DISCLOSED TO OTHERS, EXCEPT AS EXPRESSLY AUTHORIZED IN WRITING BY KOOLTRONIC, INC.

REVISIONS

SYM	NOTICE	DESCRIPTION	DATE	APPROVED
-	ER 01/007	NEW DRAWING RELEASE	5/8/01	JS



ALL DIMENSIONS ARE IN INCHES,  
DIMENSIONS DESIGNATED MM ARE IN MILLIMETERS

UNLESS OTHERWISE SPECIFIED  
TOLERANCES NON-ACCUMULATIVE

DRAWN  
JERRY STEDNICK 5/8/01

TOL ON INCHES MM

CHECKED

.XX ± .02 ±

ENG

.XXX ± .010 ±

MFG. ENG.

ANGULAR ± 1/2°

MATERIAL

UNITS KPHE32CDMW

APPROVED



HOPEWELL, NJ VENTURA, CA USA

WIRING DIAGRAM  
HEAT EXCHANGER

CODE IDENT. NO. 06223	SIZE A	DWG. NO. WD-660	REV -
SCALE NONE	CAD. REF. WD-660	SHEET 1 OF 1	