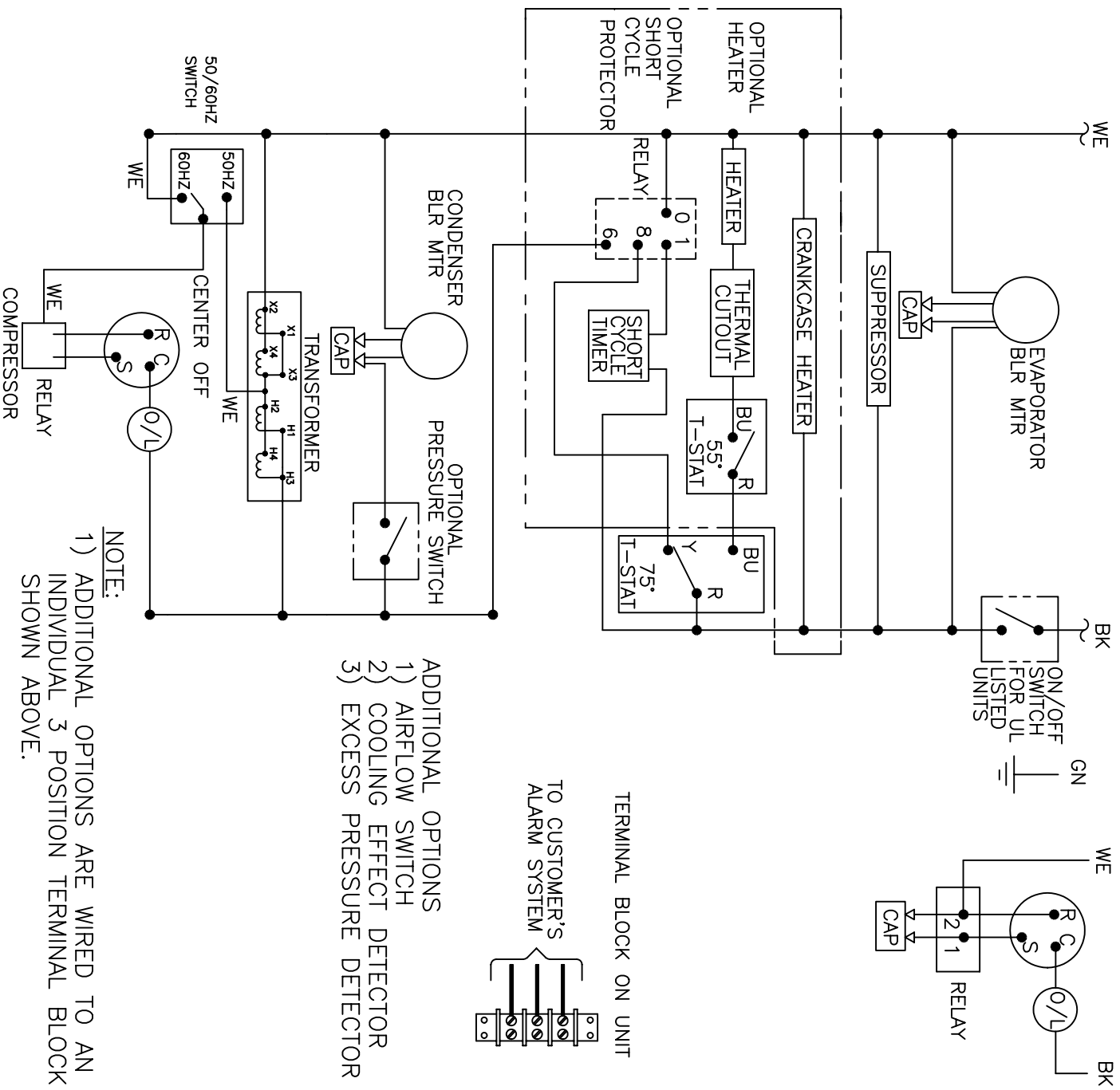


REVISIONS		DESCRIPTION	DATE	APPROVED
SYM	NOTICE			
-	ER 01/39	NEW DRAWING RELEASE	5/18/01	RDM

THIS DOCUMENT IS THE PROPERTY OF KOOLTRONIC, INC. AND CONTAINS PROPRIETARY AND CONFIDENTIAL INFORMATION WHICH MUST NOT BE DUPLICATED, USED OR DISCLOSED TO OTHERS, EXCEPT AS EXPRESSLY AUTHORIZED IN WRITING BY KOOLTRONIC, INC.



ALL DIMENSIONS ARE IN INCHES,
DIMENSIONS DESIGNATED MM ARE IN MILLIMETERS.

UNLESS OTHERWISE SPECIFIED TOLERANCES NON-ACCUMULATIVE		DRAWN	DATE
TOL. ON INCHES	MM	<i>R. D. MORRIS</i>	5/18/01
.XX	±	ENG.	
.XXX	± .010	MFG. ENG.	
ANGULAR	± 1/2°		
MATERIAL		CHECKED	
UNITS	KA4C2-4NP28L56	APPROVED	

WIRING DIAGRAM



CODE IDENT. NO.	SIZE	DWG. NO.	REV
06223	A	WD-676	-
SCALE 7/8=1	CAD. REF.	WD-676	SHEET 1 OF 1