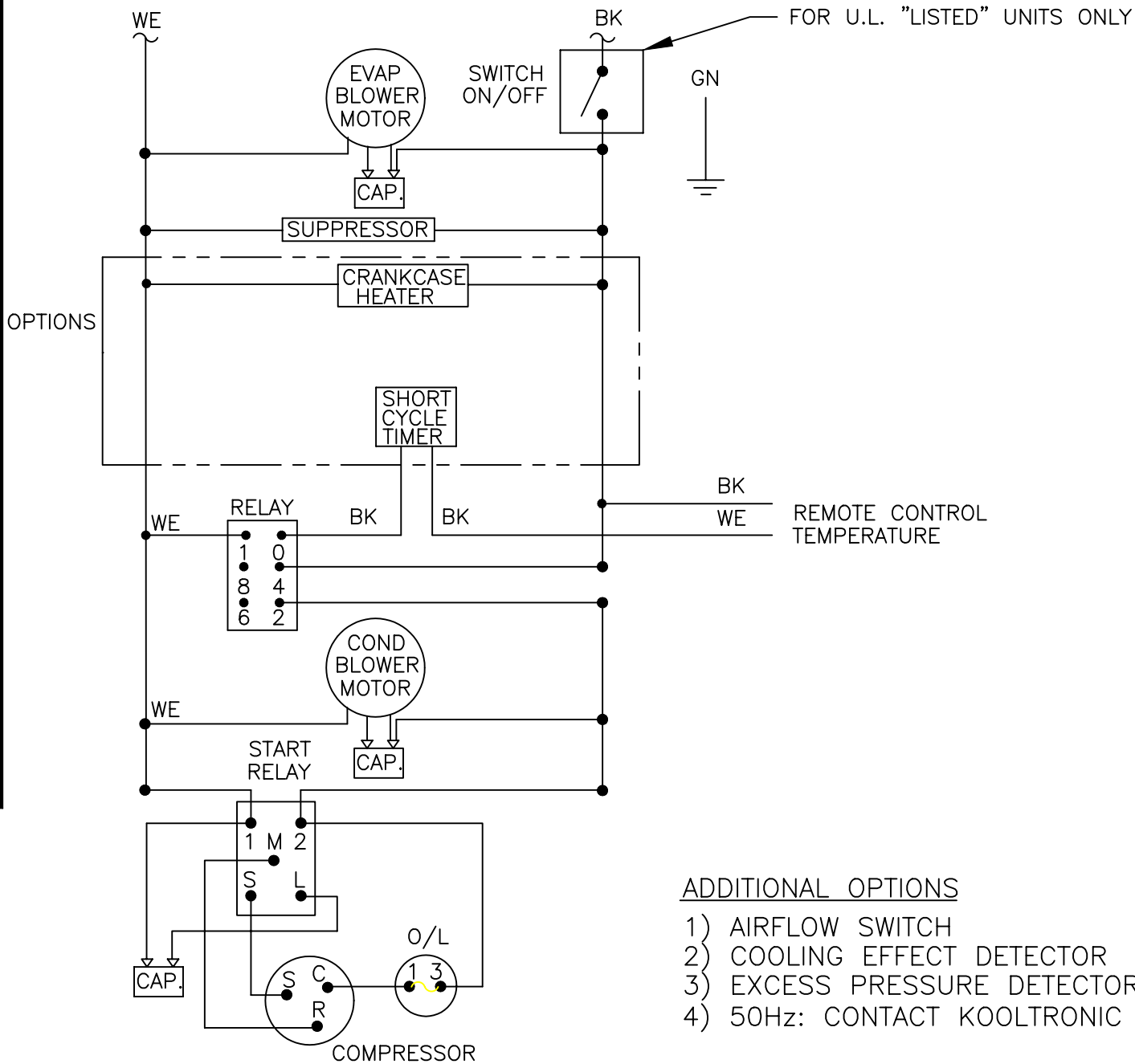


THIS DOCUMENT IS THE PROPERTY OF KOOLTRONIC, INC. AND CONTAINS PROPRIETARY AND CONFIDENTIAL INFORMATION WHICH MUST NOT BE DUPLICATED, USED OR DISCLOSED TO OTHERS, EXCEPT AS EXPRESSLY AUTHORIZED IN WRITING BY KOOLTRONIC, INC.

REVISIONS

SYM	NOTICE	DESCRIPTION	DATE	APPROVED
-	EC 01/209	NEW DRAWING RELEASE	9/6/01	JS



ALL DIMENSIONS ARE IN INCHES,  
DIMENSIONS DESIGNATED MM ARE IN MILLIMETERS.



WIRING DIAGRAM

UNLESS OTHERWISE SPECIFIED TOLERANCES NON-ACCUMULATIVE			DRAWN	DATE
TOL. ON	INCHES	MM	JERRY STEDNICK	9/6/01
.XX	± .02	±	CHECKED	
.XXX	± .010	±	ENG.	
ANGULAR		± 1/2°	JIM DISLER	9/6/01
MATERIAL			MFG. ENG.	
UNITS			APPROVED	
K2A4C6NP47N-1				

CODE IDENT. NO.	SIZE	DWG. NO.	REV
06223	A	WD-725	-
SCALE 1=1	CAD. REF.	WD-725	SHEET 1 OF 1