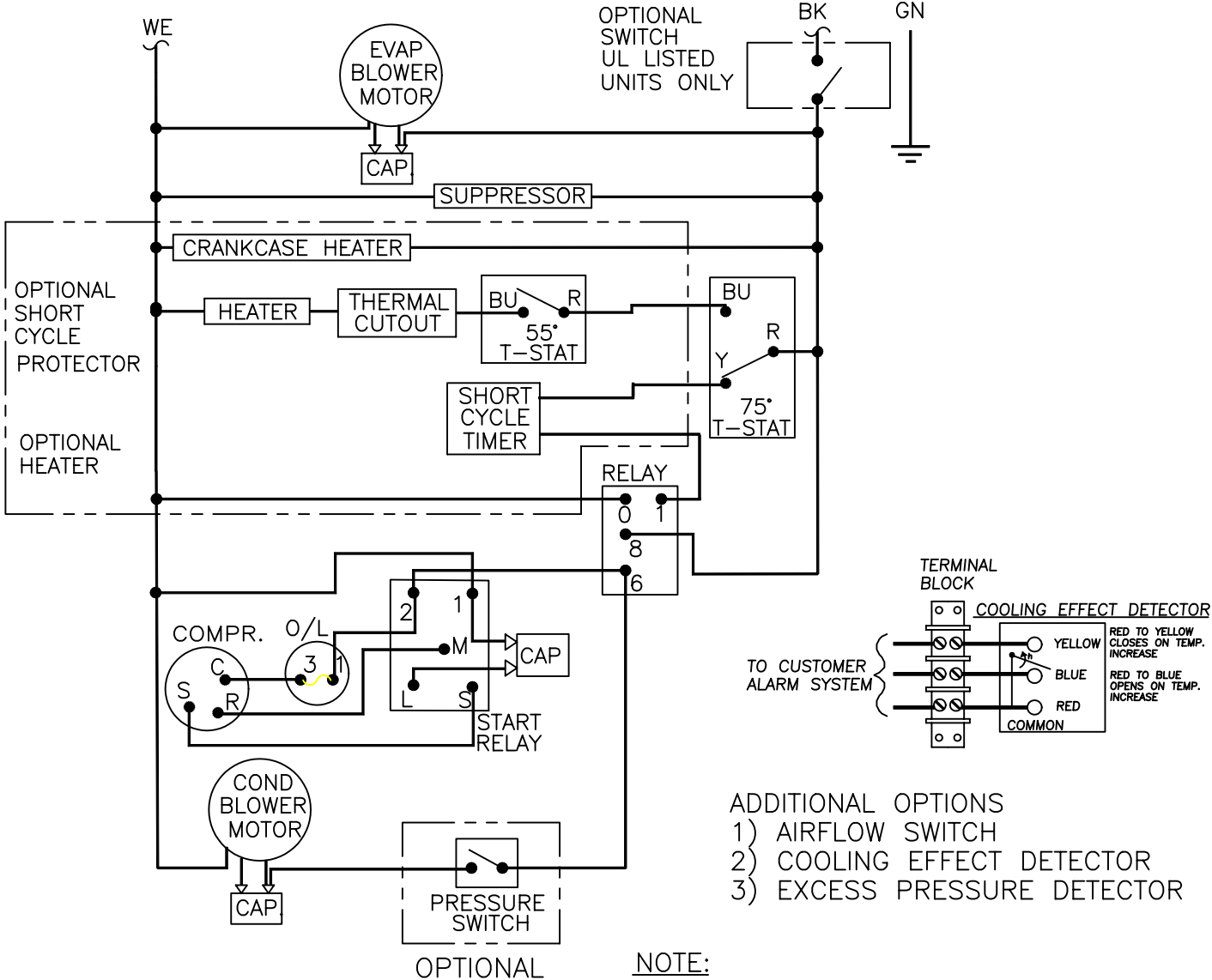


THIS DOCUMENT IS THE PROPERTY OF KOOLTRONIC, INC. AND CONTAINS PROPRIETARY AND CONFIDENTIAL INFORMATION WHICH MUST NOT BE DUPLICATED, USED OR DISCLOSED TO OTHERS, EXCEPT AS EXPRESSLY AUTHORIZED IN WRITING BY KOOLTRONIC, INC.

REVISIONS

SYM	NOTICE	DESCRIPTION	DATE	APPROVED
-	EC 01/209	NEW DRAWING RELEASE	9/6/01	JS



- ADDITIONAL OPTIONS
- 1) AIRFLOW SWITCH
 - 2) COOLING EFFECT DETECTOR
 - 3) EXCESS PRESSURE DETECTOR

NOTE:
 1) ADDITIONAL OPTIONS ARE WIRED TO AN INDIVIDUAL 3 POSITION TERMINAL BLOCK SHOWN ABOVE.

ALL DIMENSIONS ARE IN INCHES,
 DIMENSIONS DESIGNATED MM ARE IN MILLIMETERS.

UNLESS OTHERWISE SPECIFIED TOLERANCES NON-ACCUMULATIVE			DRAWN	DATE
TOL. ON	INCHES	MM	JERRY STEDNICK	9/6/01
.XX	± .02	±	CHECKED	
.XXX	± .010	±	ENG.	9/6/01
ANGULAR		± 1/2°	JIM DISLER	
MATERIAL			MFG. ENG.	
UNITS			APPROVED	



WIRING DIAGRAM
 K2A4C4-7NP47L
 K2A4C4-7NP47L5

CODE IDENT. NO.	SIZE	DWG. NO.	REV
06223	A	WD-726	-
SCALE 1=1	CAD. REF.	WD-726	SHEET 1 OF 1